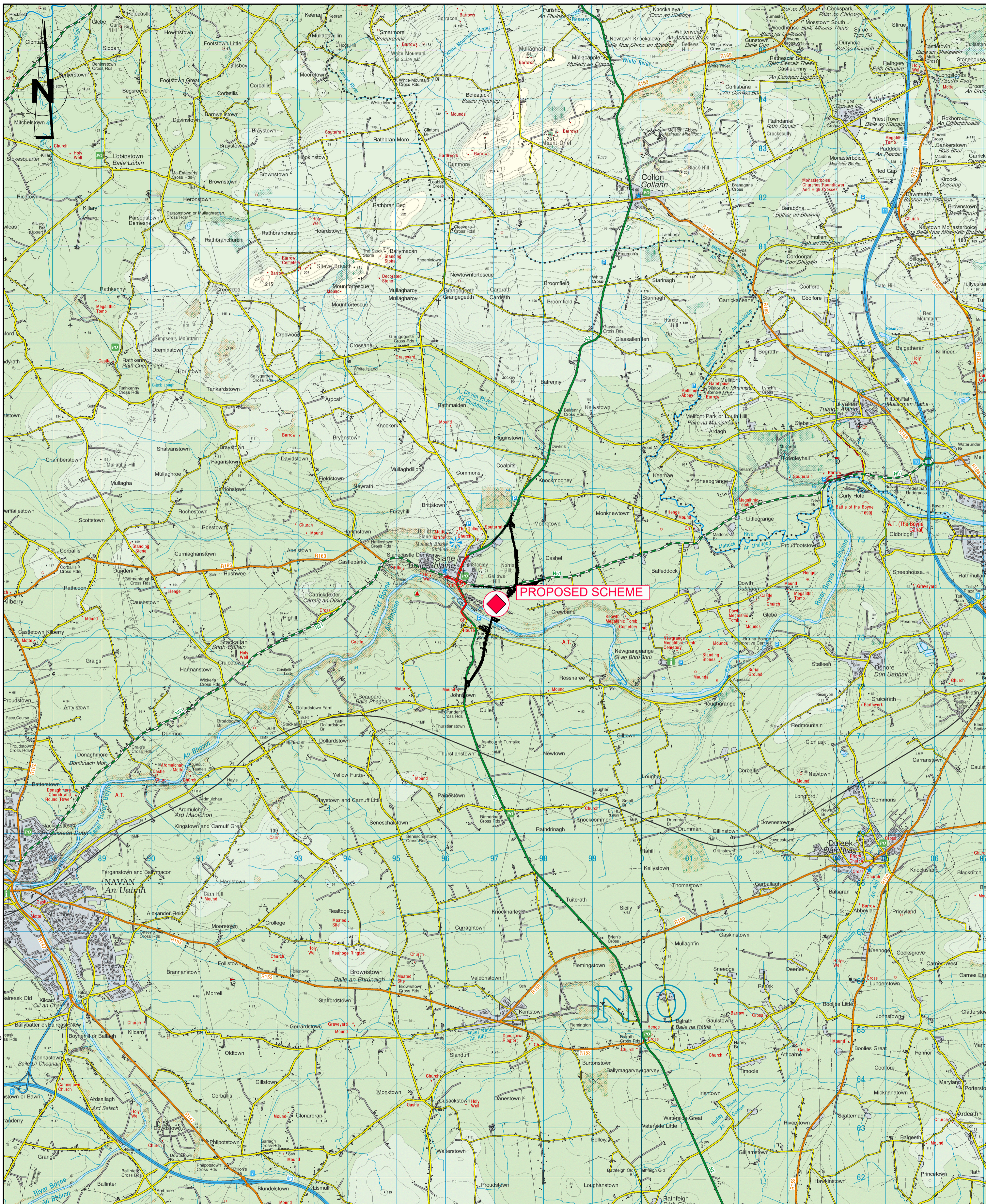
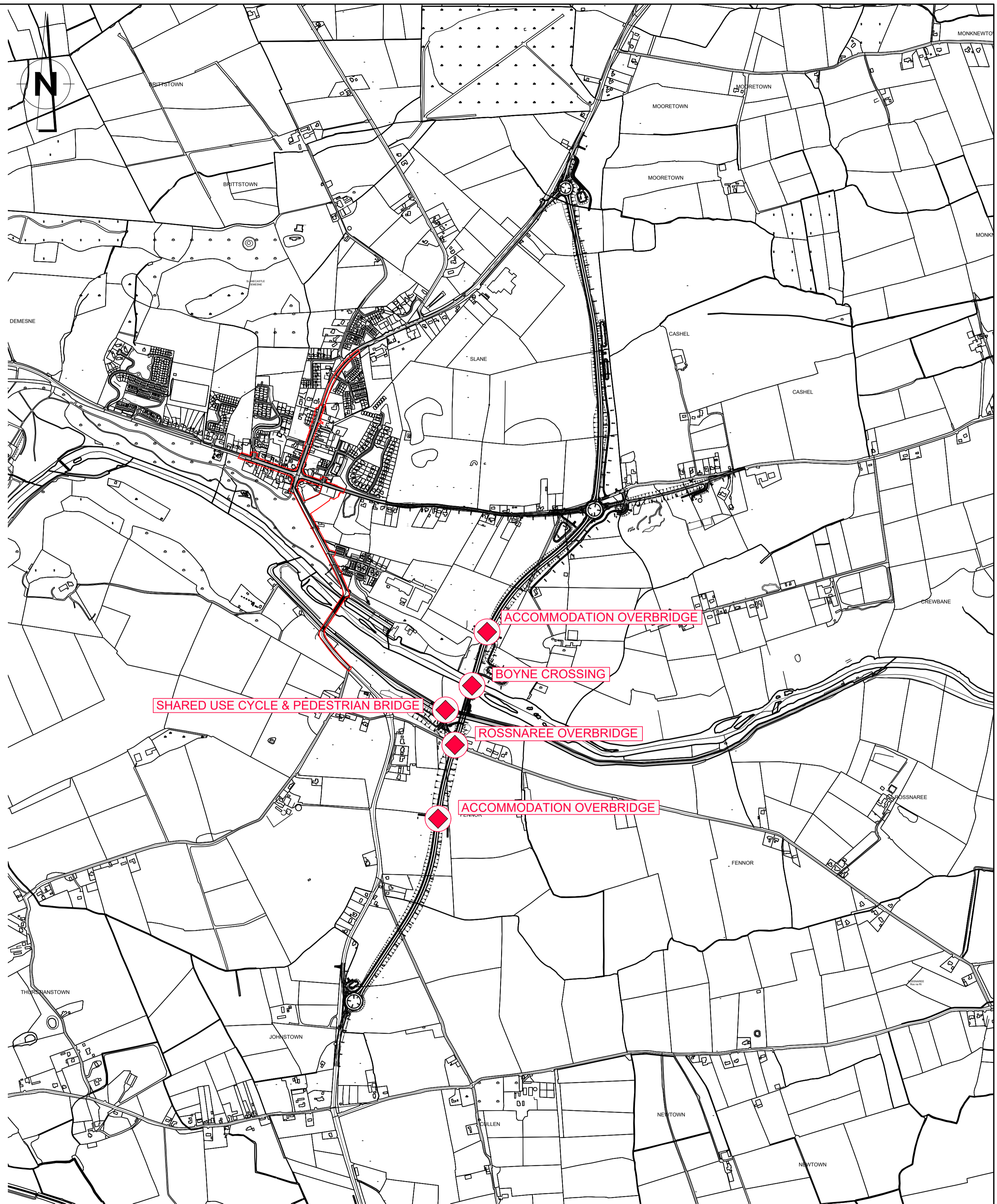

Bridges



SITE LOCATION PLAN
(Scale 1 : 50,000)



STRUCTURE LOCATION PLAN
(Scale 1 : 10,000)

© National Mapping Division of Taitte Éireann. All rights reserved.
Licence number CYAL50320677/MeathCountyCouncil

Client

General Notes

(i) Hard copies, dwf and pdf will form a controlled issue of the drawing. All other formats (dwg etc.) are deemed to be an uncontrolled issue and any work carried out based on these files is at the recipients own risk. RPS will not accept any responsibility for any errors from the use of these files, either by human error by the recipient, listing of the un-dimensioned measurements, compatibility with the recipients software, and any errors arising when these files are used to aid the recipients drawing production, or setting out on site.

(ii) DO NOT SCALE, use figured dimensions only.

(iii) This drawing is the property of RPS, it is a project confidential classified document. It must not be copied used or its contents divulged without prior written consent. The needs and expectations of client and RPS must be considered when working with this drawing.

(iv) Information including topographical survey, geotechnical investigation and utility detail used in the design have been provided by others.

(v) All Levels refer to Ordnance Survey Datum, Malin Head.

Rev	Date	Drawn	Amendment / Issue	App
	Jun '23	DC	Final Issue	AOB

West Pier
Business Campus
Dun Laoghaire
Co Dublin

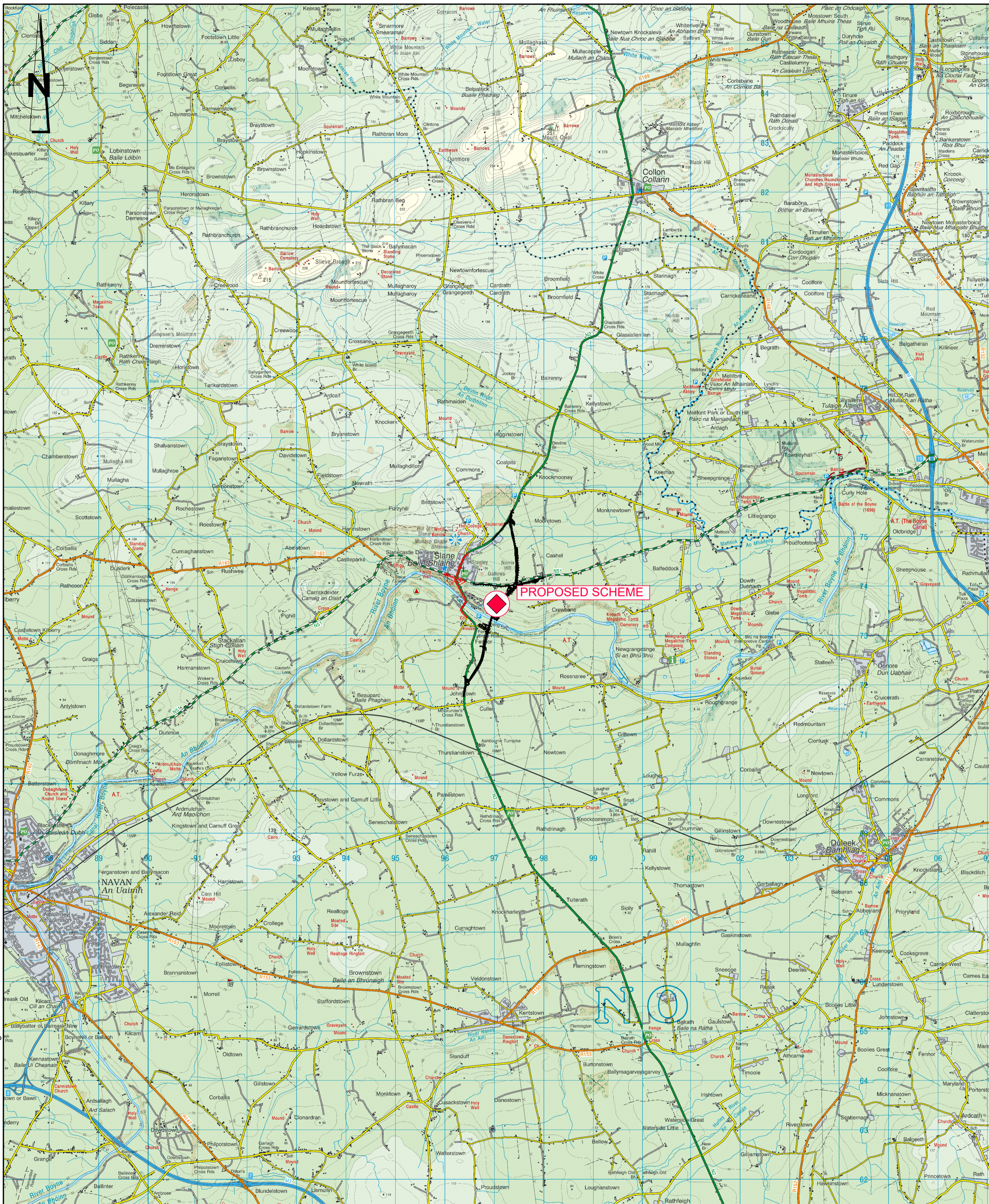
T +353 1 4882900
F +353 1 2835676
W www.rpsgroup.com/ireland
E ireland@rpsgroup.com

File Identifier
MDT0806-RPS-00-N2-DR-D-BR0102

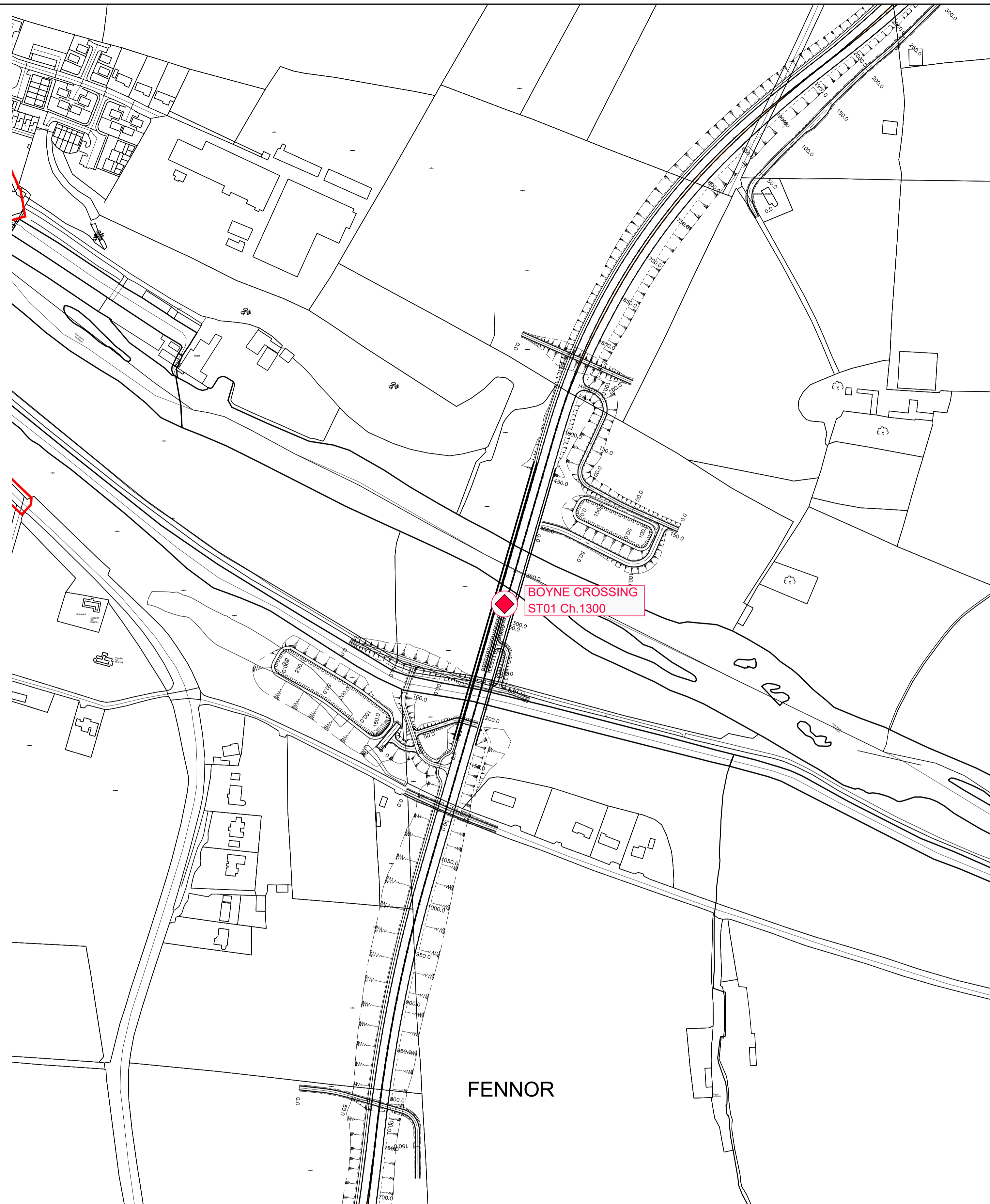
Scale	Shown @ A1 Half @ A3
Created on	Sept '20
Sheets	1 of 4

Project	N2 SLANE BYPASS AND PUBLIC REALM ENHANCEMENT SCHEME		
Title	STRUCTURE LOCATION		
	(Sheet 1 of 4)		
Drawing Number	MDT0806-RPS-00-N2-DR-D-BR0102-01	Status	A1
Rev			C01

R:\MDT0806_N2_Slane Bypass\8_0 Drawings\DG\BRMDT0806-RPS-00-N2-DR-D-BR0102.dwg



SITE LOCATION PLAN
(Scale 1 : 50,000)



STRUCTURE LOCATION PLAN
(Scale 1 : 2,500)

R:\MDT0806_N2_Slane Bypass\8_0 Drawings\0806\MDT0806-RPS-00-N2-DR-D-BR0102.dwg

© National Mapping Division of Taithe Éireann. All rights reserved.
Licence number CYAL50320677/MeathCountyCouncil

Client

General Notes

(i) Hard copies, dwf and pdf will form a controlled issue of the drawing. All other formats (dwg etc.) are deemed to be an uncontrolled issue and any work carried out based on these files is at the recipient's own risk. RPS will not accept any responsibility for any errors from the use of these files, either by human error or the recipient, listing of the un-dimensioned measurements, compatibility with the recipient's software, and any errors arising when these files are used to aid the recipient's drawing production, or setting out on site.

(ii) DO NOT SCALE, use figured dimensions only.

(iii) This drawing is the property of RPS, it is a project confidential classified document. It must not be copied used or its contents divulged without prior written consent. The needs and expectations of client and RPS must be considered when working with this drawing.

(iv) Information including topographical survey, geotechnical investigation and utility detail used in the design have been provided by others.

(v) All Levels refer to Ordnance Survey Datum, Malin Head.

Rev	Date	Drawn	Checked	Amendment / Issue	App
	Jun '23	DC	MM	Final Issue	AOB

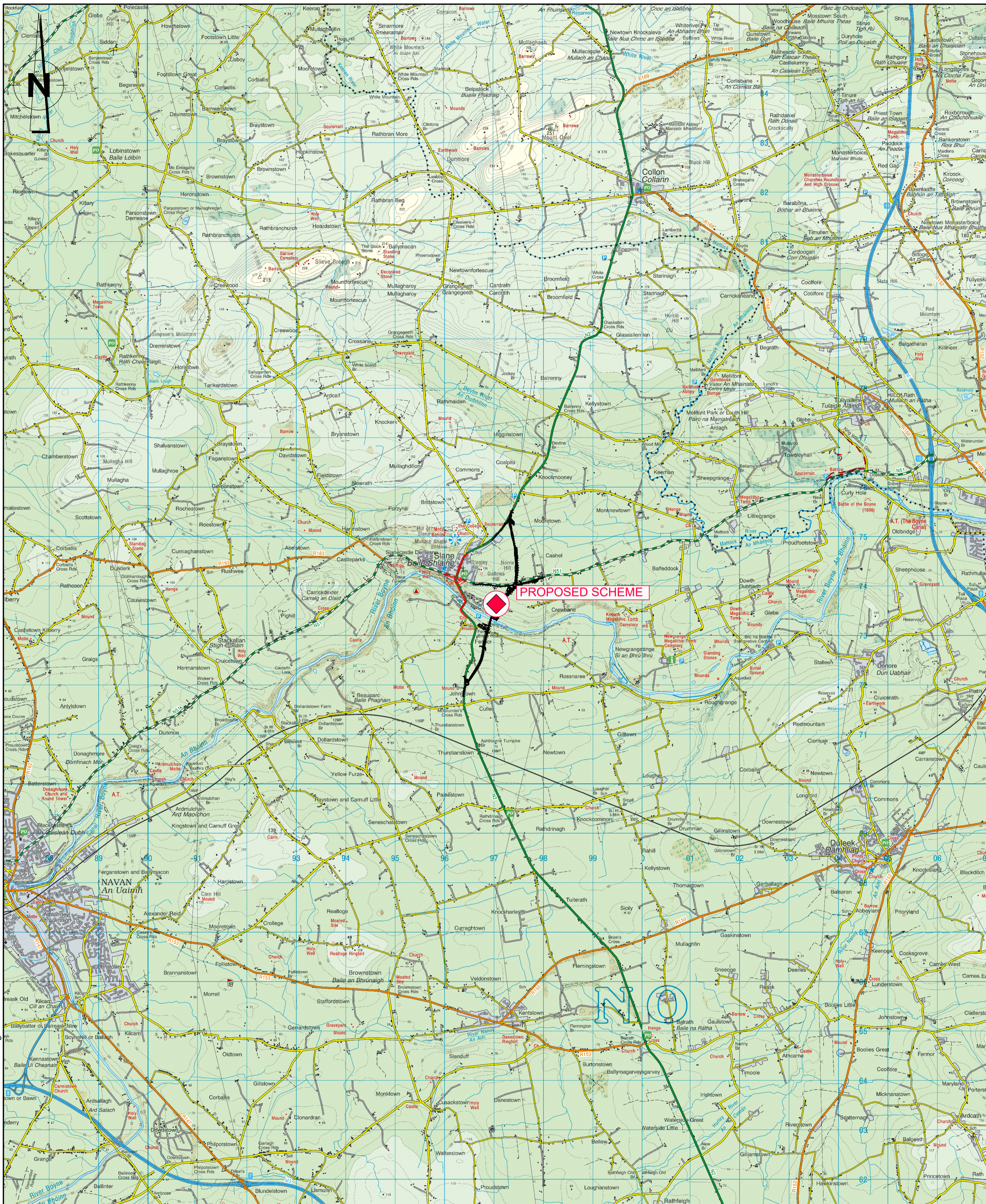
West Pier
Business Campus
Dun Laoghaire
Co Dublin

T +353 1 4882900
F +353 1 2835676
W www.rpsgroup.com/ireland
E ireland@rpsgroup.com

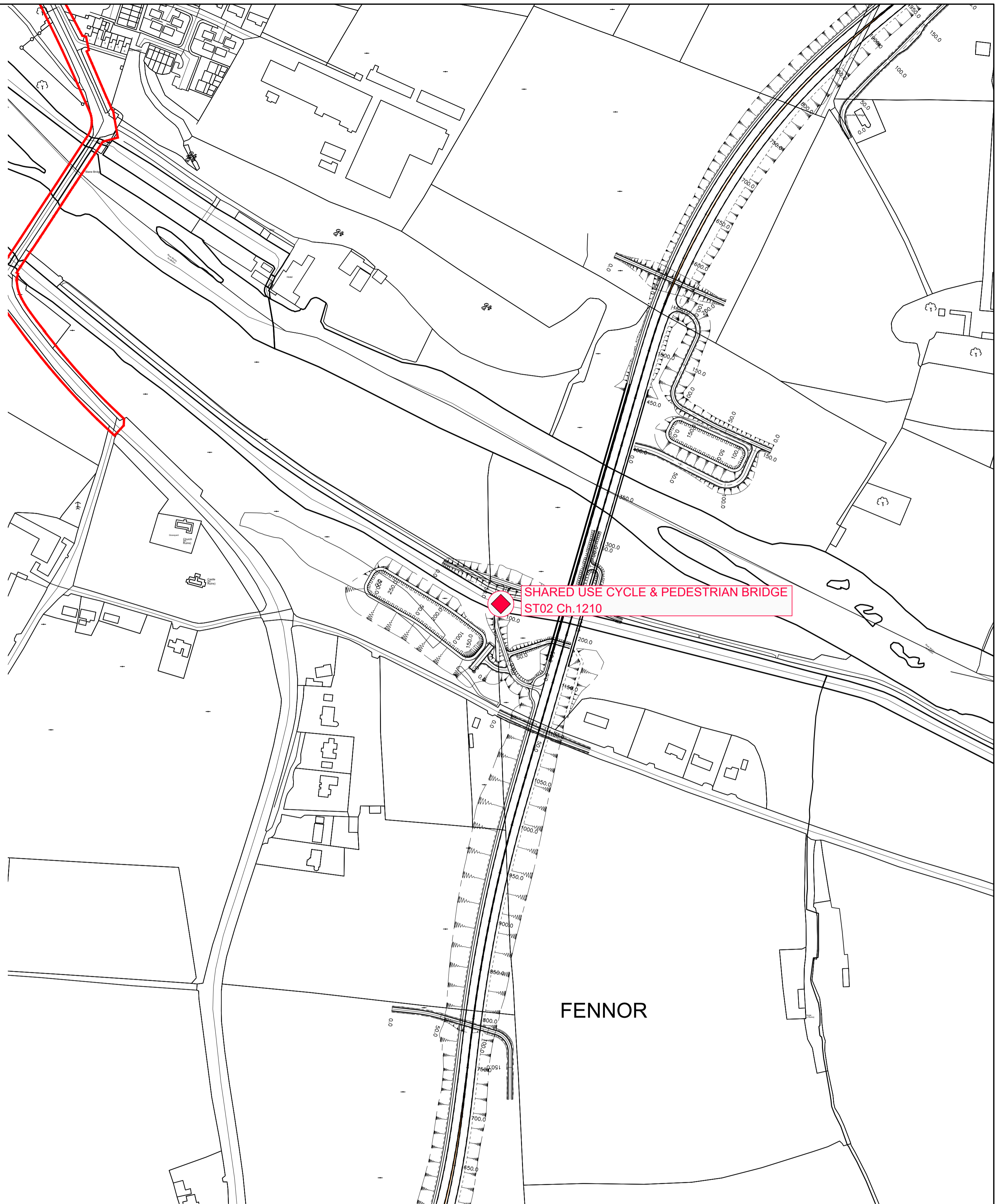
Scale	Shown @ A1 Half @ A3
Created on	Sept '20
Sheets	2 of 4

Project			N2 SLANE BYPASS AND PUBLIC REALM ENHANCEMENT SCHEME		
Title			STRUCTURE LOCATION - BOYNE CROSSING (Sheet 2 of 4)		
Drawing Number	MDT0806-RPS-00-N2-DR-D-BR0102-02	Status	A1	Rev	C01

File Identifier
MDT0806-RPS-00-N2-DR-D-BR0102



SITE LOCATION PLAN
(Scale 1 : 50,000)



STRUCTURE LOCATION PLAN
(Scale 1 : 2,500)

© National Mapping Division of Taitte Éireann. All rights reserved.
Licence number CYAL50320677/MeathCountyCouncil

Client

General Notes

(i) Hard copies, dwf and pdf will form a controlled issue of the drawing. All other formats (dwg etc.) are deemed to be an uncontrolled issue and any work carried out based on these files is at the recipient's own risk. RPS will not accept any responsibility for any errors from the use of these files, either by human error or the recipient, listing of the un-dimensioned measurements, compatibility with the recipient's software, and any errors arising when these files are used to aid the recipient's drawing production, or setting out on site.

(ii) DO NOT SCALE, use figured dimensions only.

(iii) This drawing is the property of RPS, it is a project confidential classified document. It must not be copied used or its contents divulged without prior written consent. The needs and expectations of client and RPS must be considered when working with this drawing.

(iv) Information including topographical survey, geotechnical investigation and utility detail used in the design have been provided by others.

(v) All Levels refer to Ordnance Survey Datum, Malin Head.

Rev	Date	By	App	Amendment / Issue

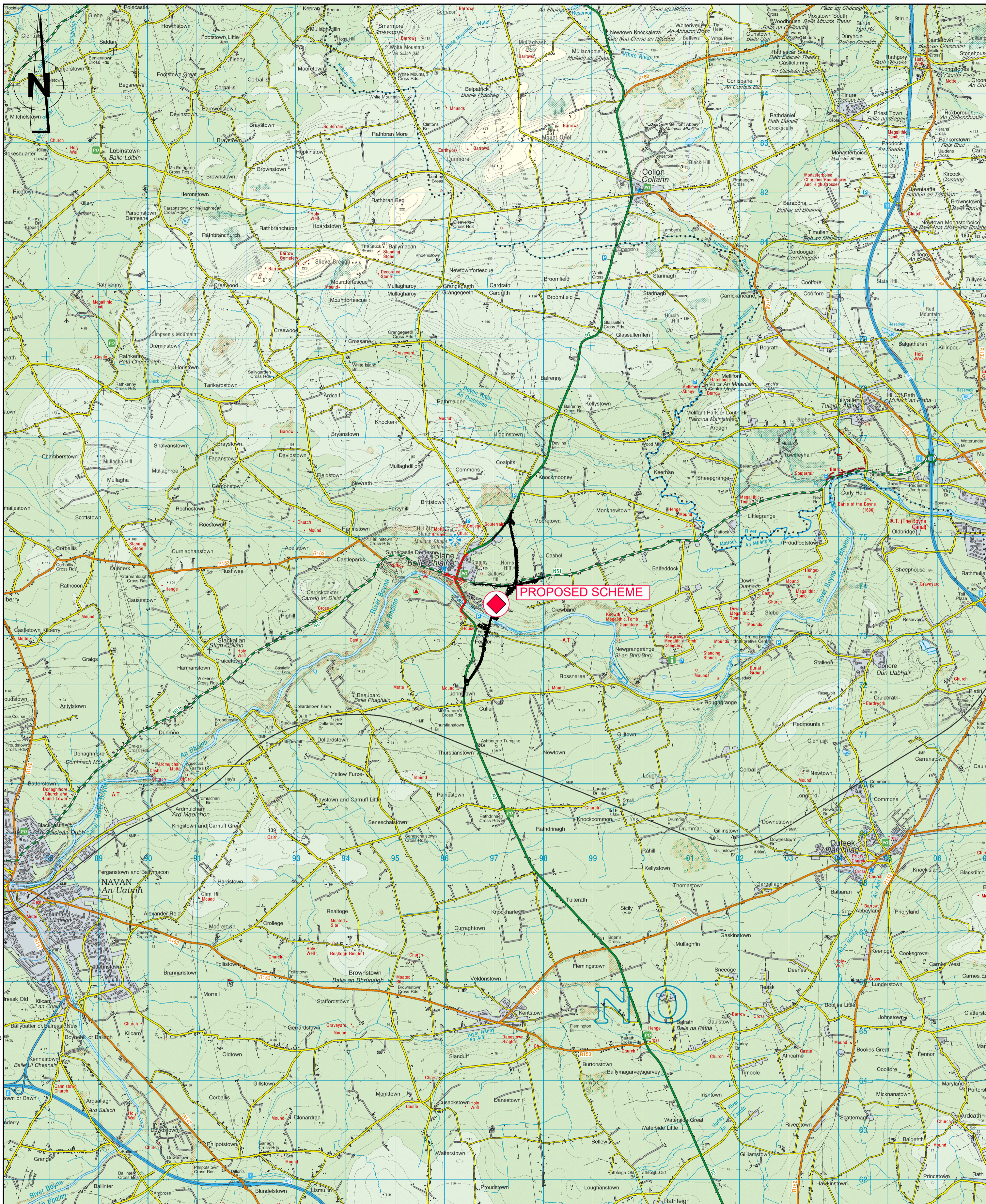
West Pier
Business Campus
Dun Laoghaire
Co Dublin

T +353 1 4882900
F +353 1 2835676
W www.rpsgroup.com/ireland
E ireland@rpsgroup.com

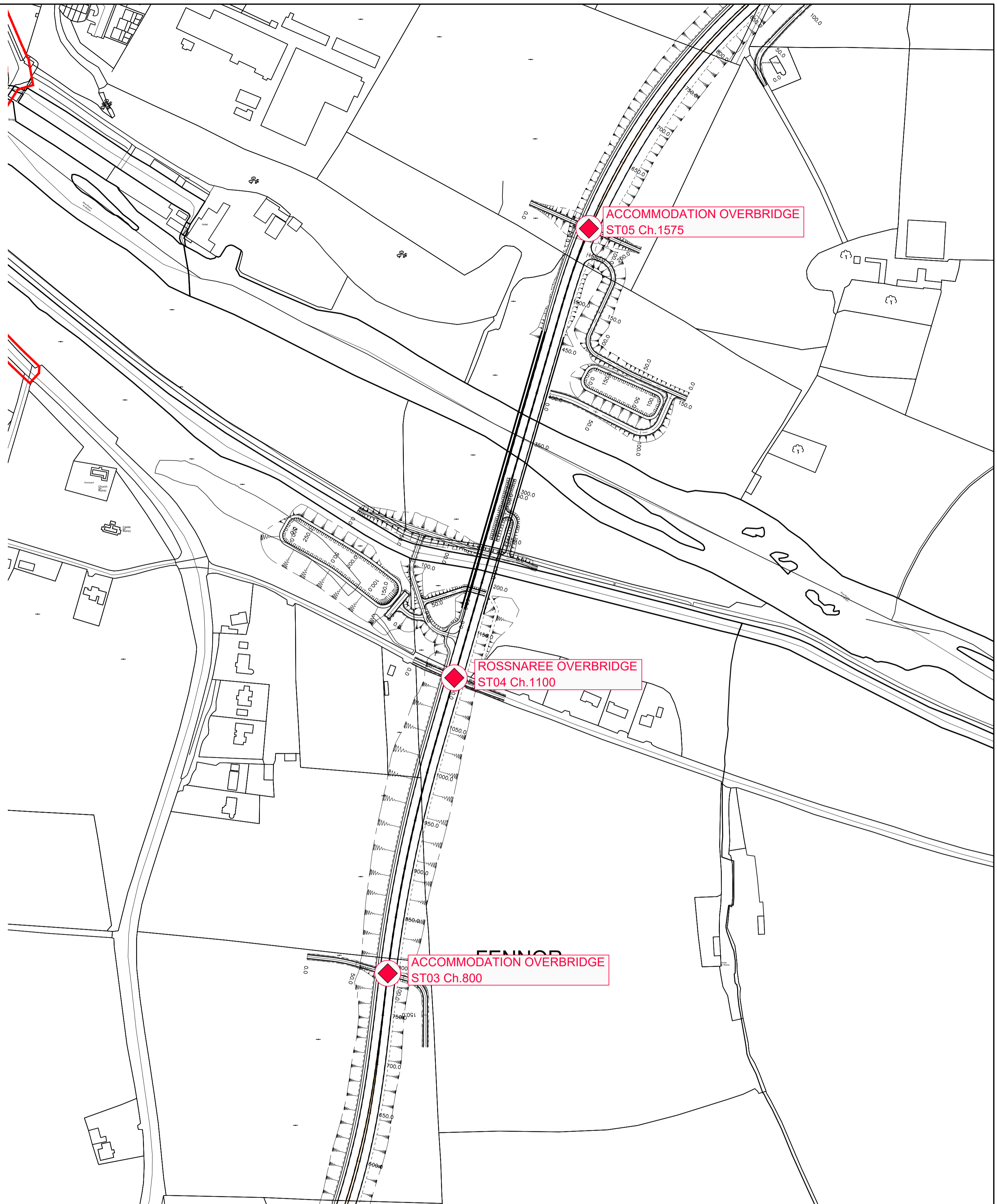
Scale	Shown @ A1 Half @ A3
Created on	Sept.'20
Sheets	3 of 4

Project		
N2 SLANE BYPASS AND PUBLIC REALM ENHANCEMENT SCHEME		
Title		
STRUCTURE LOCATION - SHARED USE CYCLE & PEDESTRIAN BRIDGE (Sheet 3 of 4)		
Drawing Number	Status	Rev
MDT0806-RPS-00-N2-DR-D-BR0102-03	A1	C01

R:\MDT0806_N2_Slane Bypass\8_0 Drawings\0806\MDT0806-RPS-00-N2-DR-D-BR0102.dwg



SITE LOCATION PLAN
(Scale 1 : 50,000)



STRUCTURE LOCATION PLAN
(Scale 1 : 2,500)

© National Mapping Division of Taitte Éireann. All rights reserved.
Licence number CYAL50320677/MeathCountyCouncil

Client

General Notes

(i) Hard copies, dwf and pdf will form a controlled issue of the drawing. All other formats (dwg etc.) are deemed to be an uncontrolled issue and any work carried out based on these files is at the recipient's own risk. RPS will not accept any responsibility for any errors from the use of these files, either by human error or the recipient, listing of the un-dimensioned measurements, compatibility with the recipient's software, and any errors arising when these files are used to aid the recipient's drawing production, or setting out on site.

(ii) DO NOT SCALE, use figured dimensions only.

(iii) This drawing is the property of RPS, it is a project confidential classified document. It must not be copied used or its contents divulged without prior written consent. The needs and expectations of client and RPS must be considered when working with this drawing.

(iv) Information including topographical survey, geotechnical investigation and utility detail used in the design have been provided by others.

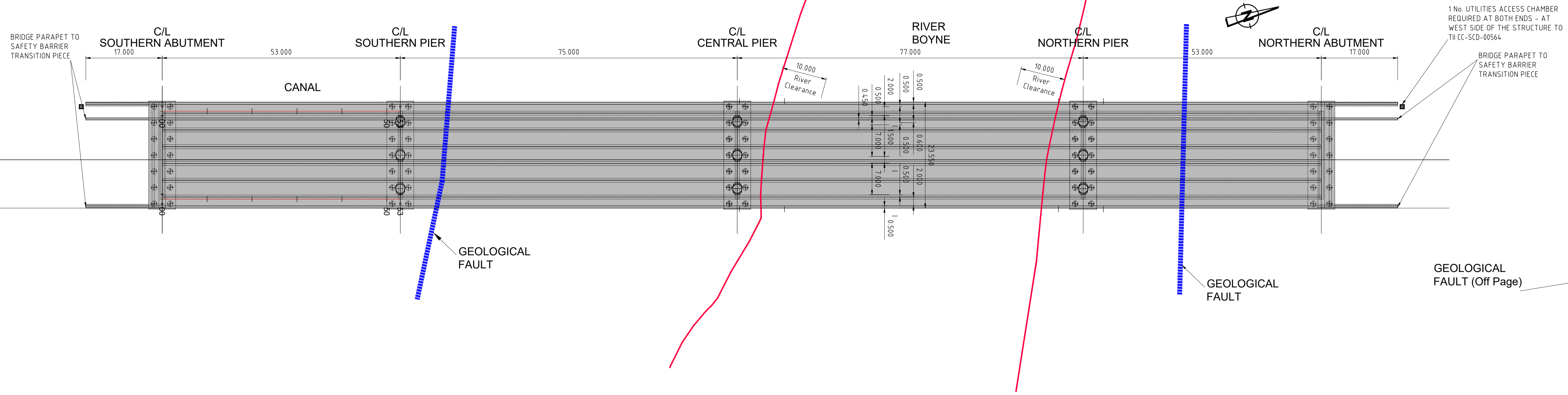
(v) All Levels refer to Ordnance Survey Datum, Malin Head.

Rev	Date	By	Amendment / Issue	App
1	Jun '23	DC	Final Issue	AOB

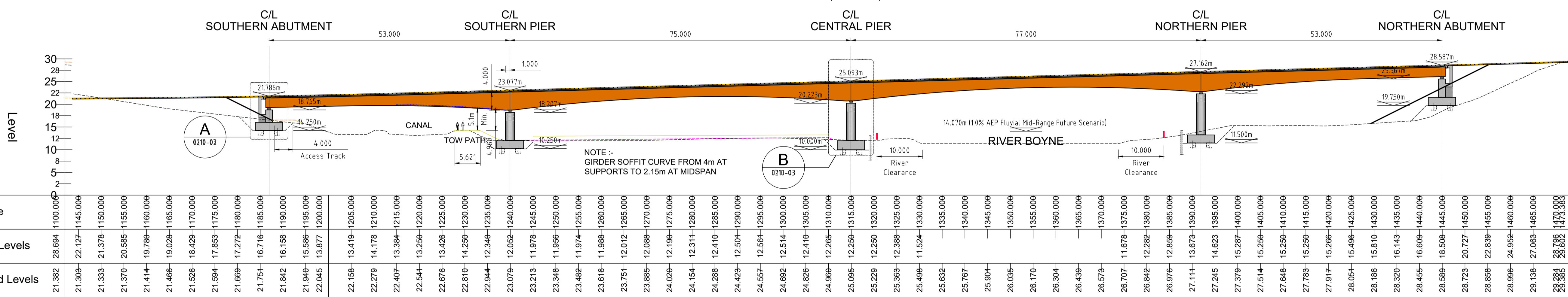
Scale	Shown @ A1 Half @ A3
Created on	Sept. '20
Sheets	4 of 4

Project		N2 SLANE BYPASS AND PUBLIC REALM ENHANCEMENT SCHEME	
Title		STRUCTURE LOCATION - OVERBRIDGES (Sheet 4 of 4)	
Drawing Number	MDT0806-RPS-00-N2-DR-D-BR0102-04	Status	A1
Rev	C01	File Identifier	MDT0806-RPS-00-N2-DR-D-BR0102

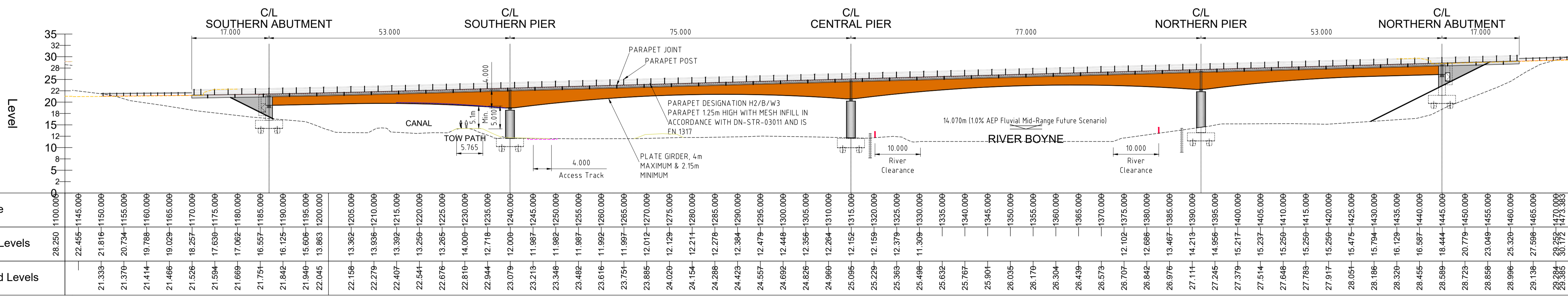
R:\MDT0806_N2_Slane Bypass\8.0 Drawings\DC\BR\MDT0806-RPS-00-N2-DR-D-BR0102.dwg



PLAN LAYOUT
(Scale 1 : 500)



CENTERLINE LONG SECTION
(Scale 1 : 500)



WESTERN ELEVATION
(Scale 1 : 500)

R:\MDT0806_N2_Slanc Bypass\8_0 Drawings\DR\BRMDT0806-RPS-ST01-N2-DR-D-BR0210.dwg

© National Mapping Division of Taitte Éireann. All rights reserved.
Licence number CYAL50320677/MeathCountyCouncil

Client

General Notes

(i) Hard copies, dwf and pdf will form a controlled issue of the drawing. All other formats (dwg etc.) are deemed to be an uncontrolled issue and any work carried out based on these files is at the recipient's own risk. RPS will not accept any responsibility for any errors from the use of these files, either by human error by the recipient, listing of the un-dimensioned measurements, compatibility with the recipient's software, and any errors arising when these files are used to aid the recipient's drawing production, or setting out on site.

(ii) DO NOT SCALE. Use figured dimensions only.

(iii) This drawing is the property of RPS, it is a project confidential classified document. It must not be copied used or its contents divulged without prior written consent. The needs and expectations of client and RPS must be considered when working with this drawing.

(iv) Information including topographical survey, geotechnical investigation and utility detail used in the design have been provided by others.

(v) All Levels refer to Ordnance Survey Datum, Malin Head.

Rev	Date	By	App	Amendment / Issue
1	Jun 23	DM	MC	Final Issue

West Pier
Business Campus
Dun Laoghaire
Co Dublin

T +353 1 4882900
F +353 1 2835676
E www.rpsgroup.com/ireland
ireland@rpsgroup.com

Scale	As Shown @ A1 Half @ A3
Created on	May 21
Sheets	1 of 3

Project

N2 SLANE BYPASS AND PUBLIC REALM ENHANCEMENT SCHEME

Title

BOYNE CROSSING - ST01 GENERAL ARRANGMENT (Sheet 1 of 3)

Drawing Number

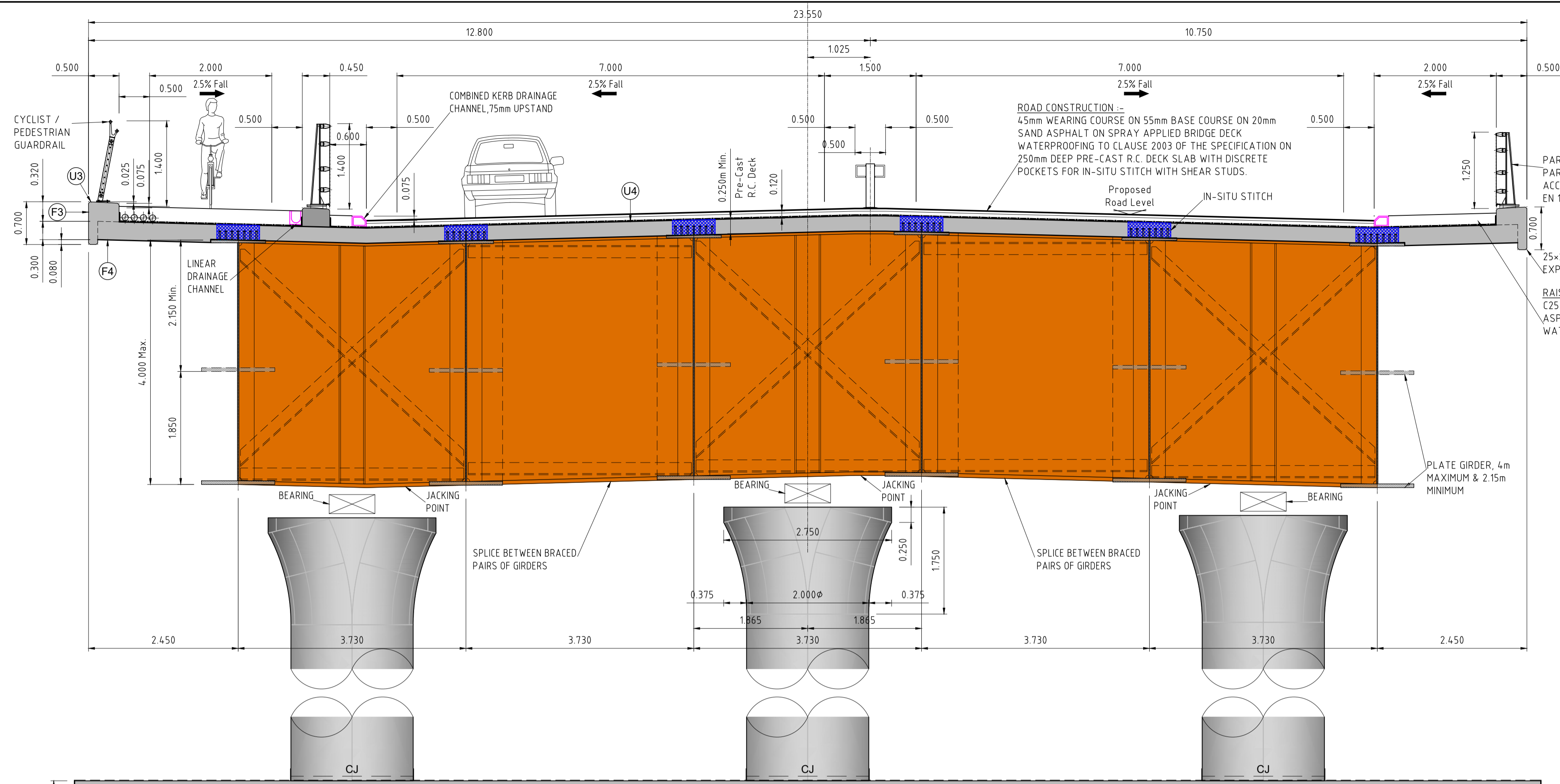
MDT0806-RPS-ST01-N2-DR-D-BR0210-01

Status

A1

Rev

C01

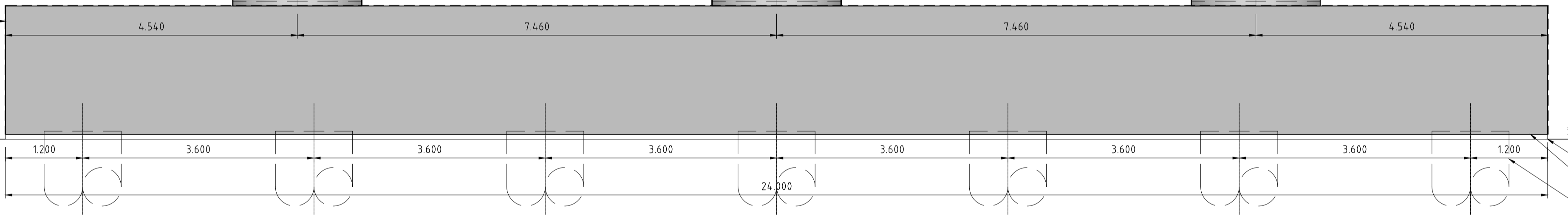
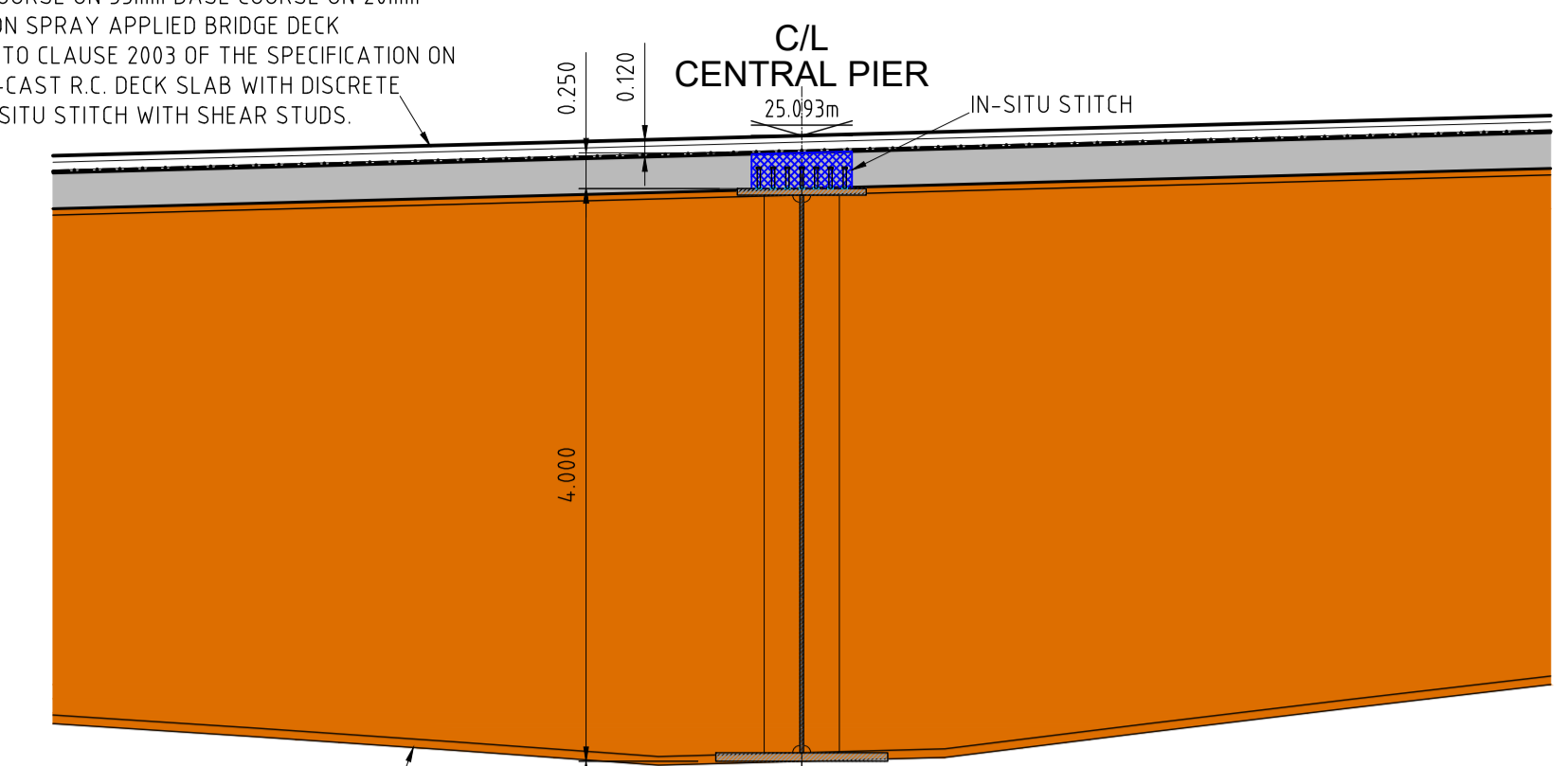


ROAD CONSTRUCTION -
 45mm WEARING COURSE ON 55mm BASE COURSE ON 20mm SAND ASPHALT ON SPRAY APPLIED BRIDGE DECK
 WATERPROOFING TO CLAUSE 2003 OF THE SPECIFICATION ON 250mm DEEP PRE-CAST R.C. DECK SLAB WITH DISCRETE POCKETS FOR IN-SITU STITCH WITH SHEAR STUDS.

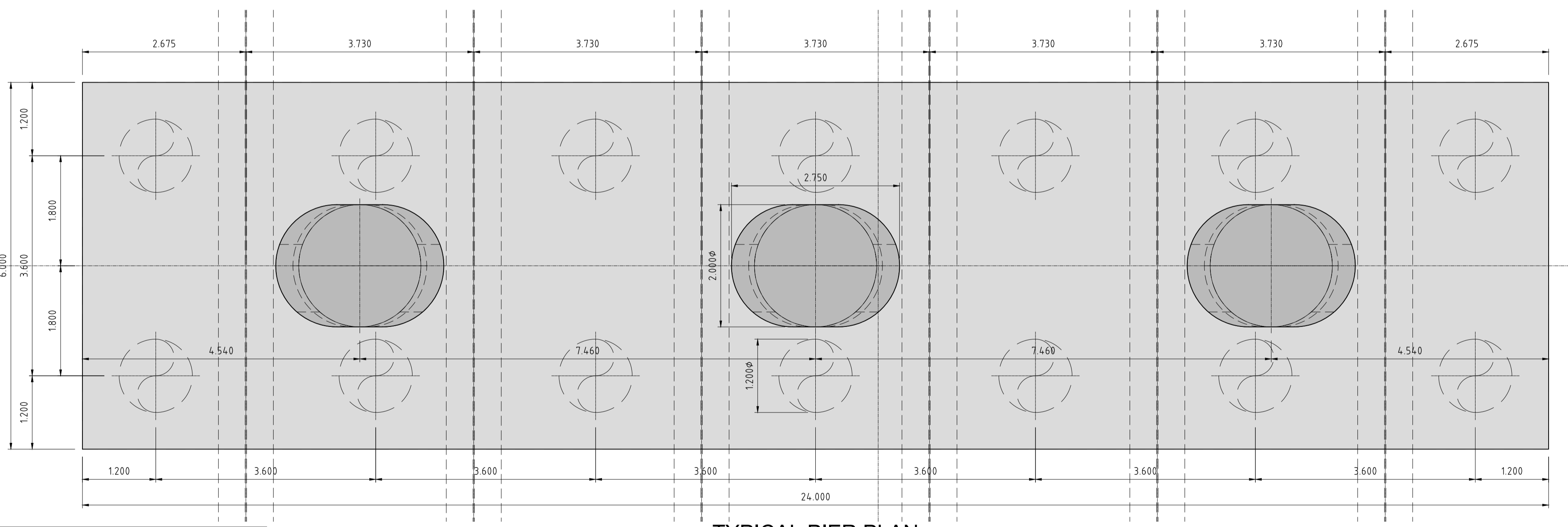
RAISED VERGE CONSTRUCTION -
 C25/30 CONCRETE ON 20mm SAND ASPHALT ON SPRAY APPLIED WATERPROOFING.

PARAPET DESIGNATION H2/B/W3
 PARAPET 1.25m HIGH WITH MESH INFILL IN ACCORDANCE WITH DN-STR-03011 AND IS EN 1317

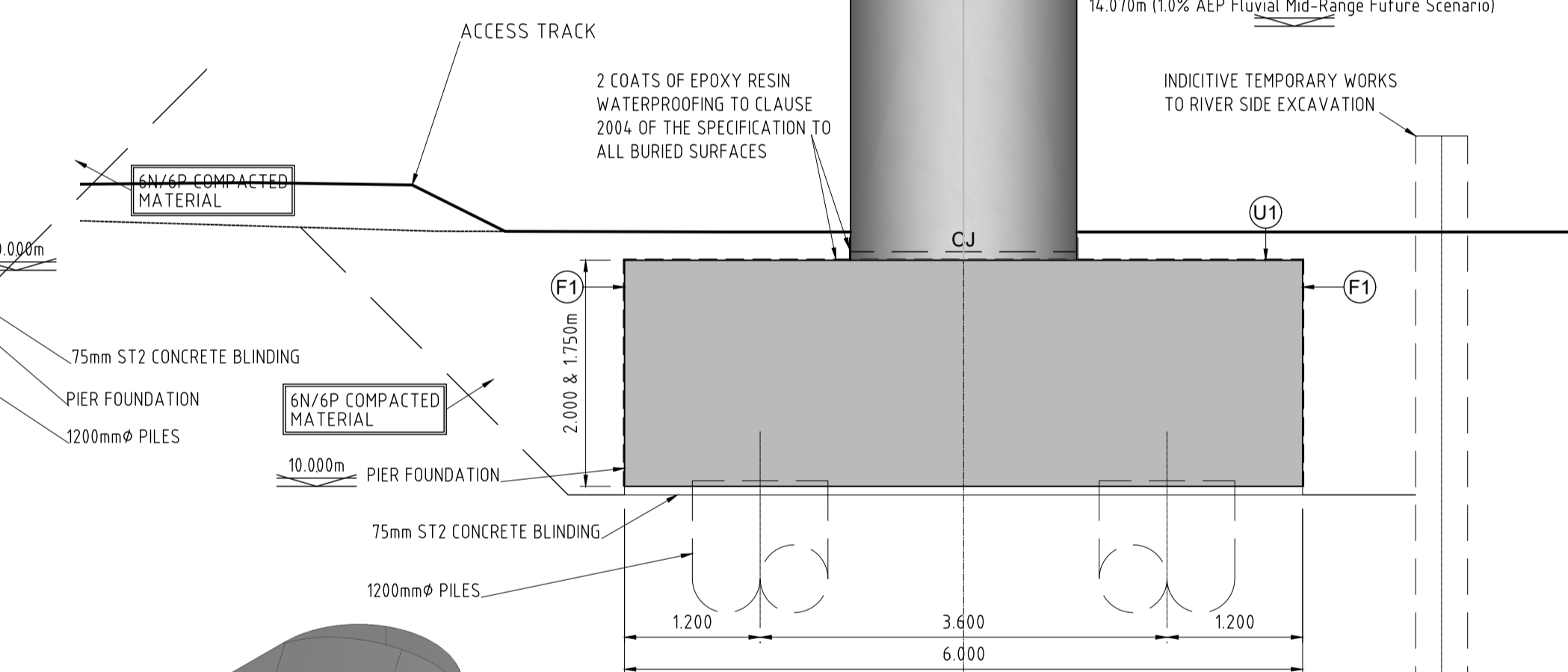
25x25mm CHAMFER TO ALL EXPOSED CONCRETE EDGES



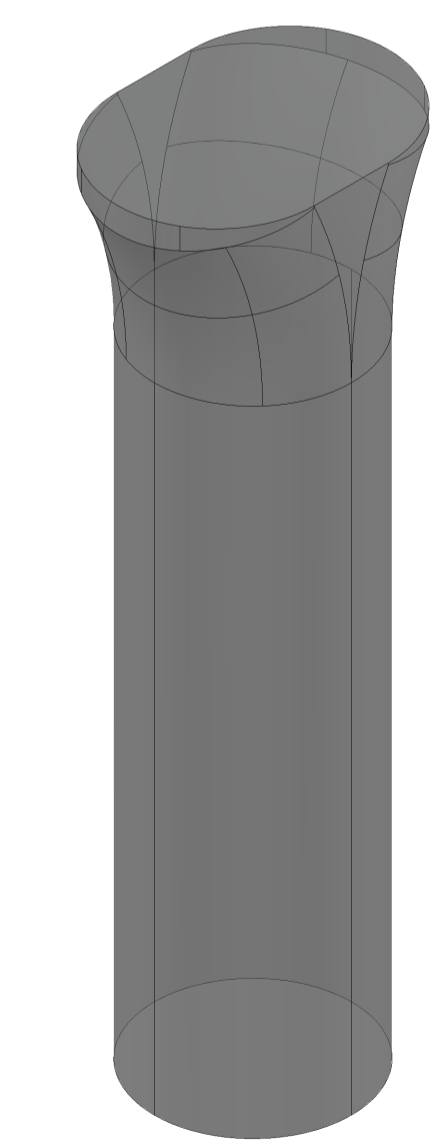
TYPICAL PIER CROSS SECTION
 (Scale 1:50)



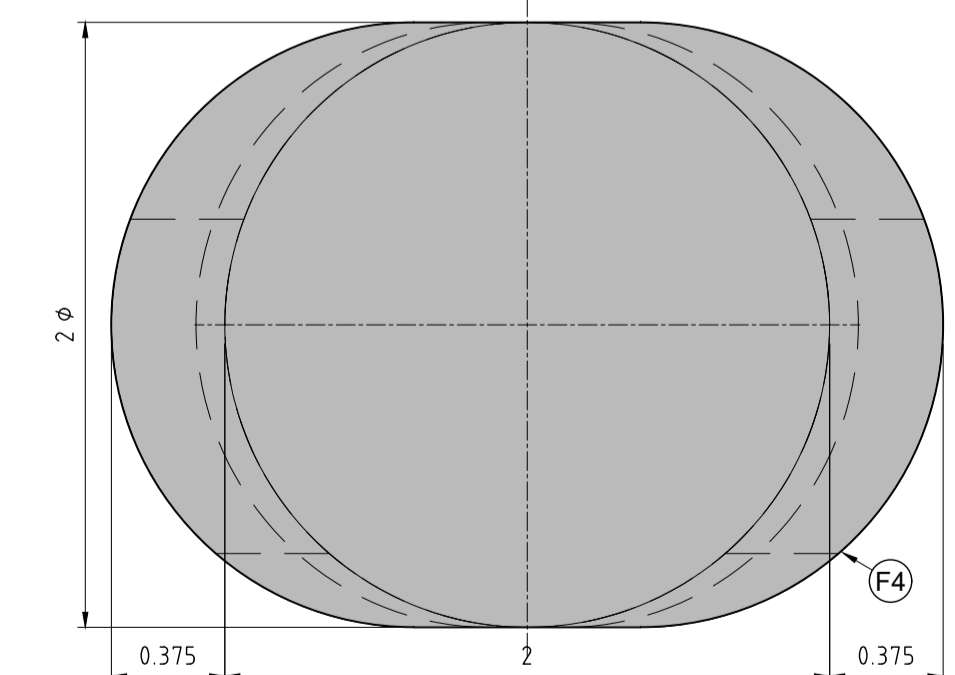
TYPICAL PIER PLAN
 (Scale 1:50)



DETAIL B
 (Scale 1:50)
 0210.01



PROPOSED PIER



DETAIL B1
 (Scale 1:25)
 0210.03

R:\MDT0806_N2_Slanc Bypass\8.0 Drawings\DR\BRMDT0806-RPS-ST01-N2-DR-D-BR0210.dwg

© National Mapping Division of Taithe Éireann. All rights reserved.
 Licence number CYAL50320677/MeathCountyCouncil

Client

General Notes

(i) Hard copies, dxf and pdf will form a controlled issue of the drawing. All other formats (dwg etc.) are deemed to be an uncontrolled issue and any work carried out based on these files is at the recipient's own risk. RPS will not accept any responsibility for any errors from the use of these files, either by human error by the recipient, listing of the un-dimensioned measurements, compatibility with the recipient's software, and any errors arising when these files are used to aid the recipient's drawing production, or setting out on site.

(ii) DO NOT SCALE, use figured dimensions only.

(iii) This drawing is the property of RPS, it is a project confidential classified document. It must not be copied used or its contents divulged without prior written consent. The needs and expectations of client and RPS must be considered when working with this drawing.

(iv) Information including topographical survey, geotechnical investigation and utility detail used in the design have been provided by others.

(v) All Levels refer to Ordnance Survey Datum, Malin Head.

Rev	Date	Dim Cmk	Amendment / Issue	App
A1	Jun '23	DC	Final Issue	MN

rps

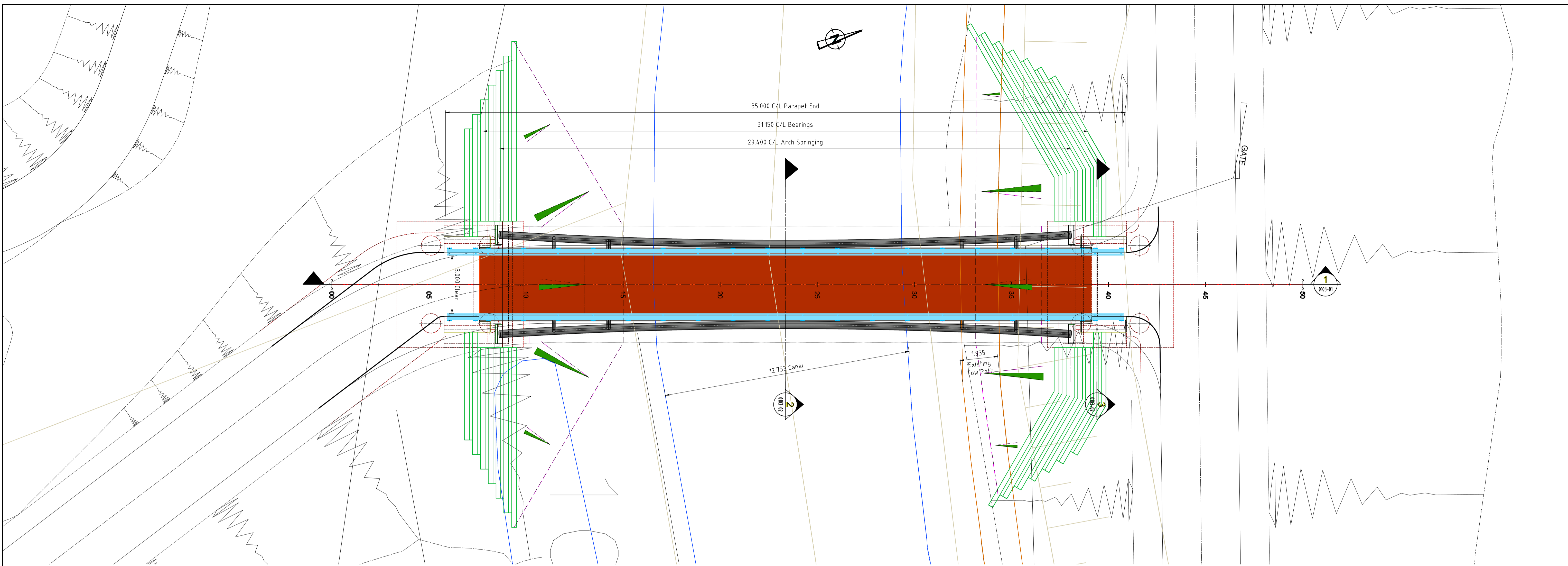
West Pier
 Business Campus
 Dun Laoghaire
 Co Dublin

T +353 1 4882900
 F +353 1 2835676
 W www.rpsgroup.com/ireland
 E ireland@rpsgroup.com

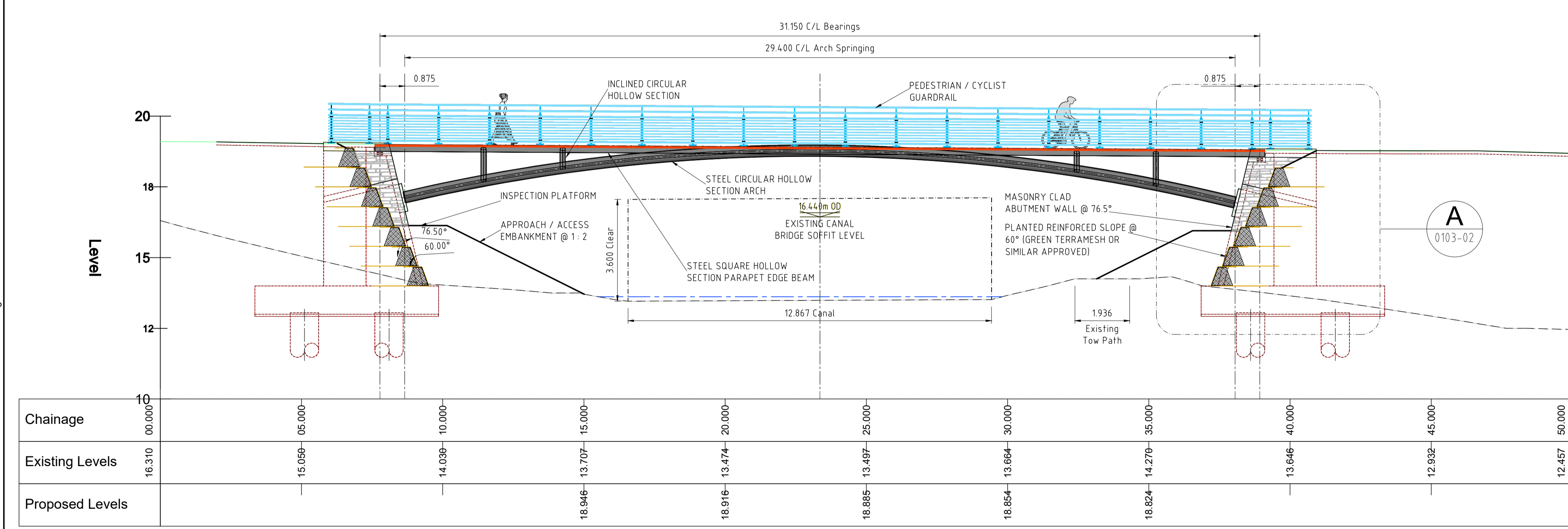
File Identifier
 MDT0806-RPS-ST01-N2-DR-D-BR0000

Scale	As Shown @ A1 Half @ A3
Created on	May'21
Sheets	3 of 3

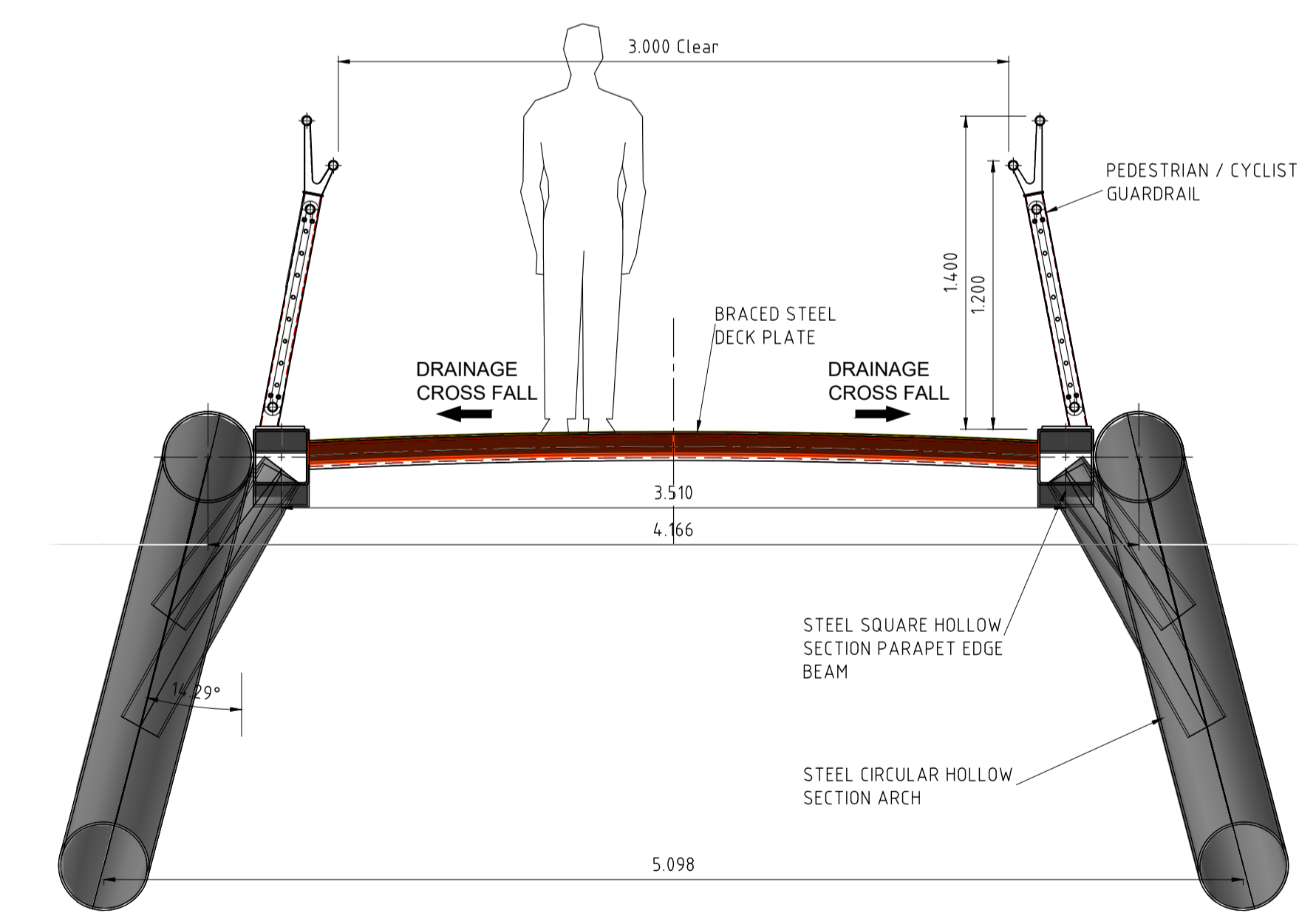
Project	N2 SLANE BYPASS AND PUBLIC REALM ENHANCEMENT SCHEME		
Title	BOYNE CROSSING - ST01 GENERAL ARRANGMENT (Sheet 3 of 3)		
Drawing Number	MDT0806-RPS-ST01-N2-DR-D-BR0210-03	Status	A1
Rev			C01



PLAN LAYOUT
(Scale 1 : 100)



SECTION 1
(Scale 1 : 100)



SECTION 2
(Scale 1 : 25)

Chainage	00.000	05.000	10.000	15.000	20.000	25.000	30.000	35.000	40.000	45.000	50.000
Existing Levels	16.310	15.059	14.039	13.707	13.474	13.497	13.664	14.270	13.646	12.932	12.457
Proposed Levels				18.946	18.916	18.885	18.854	18.824	18.824	18.824	18.824

© National Mapping Division of Tailte Éireann. All rights reserved.
Licence number CYAL50320677/MeathCountyCouncil

Client

General Notes

(i) Hard copies, dwf and pdf will form a controlled issue of the drawing. All other formats (dwg etc.) are deemed to be an uncontrolled issue and any work carried out based on these files is at the recipients own risk. RPS will not accept any responsibility for any errors from the use of these files, either by human error by the recipient, listing of the un-dimensioned measurements, compatibility with the recipients software, and any errors arising when these files are used to aid the recipients drawing production, or setting out on site.

(ii) DO NOT SCALE, use figured dimensions only.

(iii) This drawing is the property of RPS, it is a project confidential classified document. It must not be copied used or its contents divulged without prior written consent. The needs and expectations of client and RPS must be considered when working with this drawing.

(iv) Information including topographical survey, geotechnical investigation and utility detail used in the design have been provided by others.

(v) All Levels refer to Ordnance Survey Datum, Malin Head.

Rev	Date	By	App	Amendment / Issue
A1	Jun '23	DC	MN	Final Issue

West Pier
Business Campus
Dun Laoghaire
Co Dublin

T +353 1 4882900
F +353 1 2835676
W www.rpsgroup.com/ireland
E ireland@rpsgroup.com

Scale	As Shown @ A1 Half @ A3
Created on	Aug '21
Sheets	1 of 3

Project
N2 SLANE BYPASS AND PUBLIC REALM ENHANCEMENT SCHEME

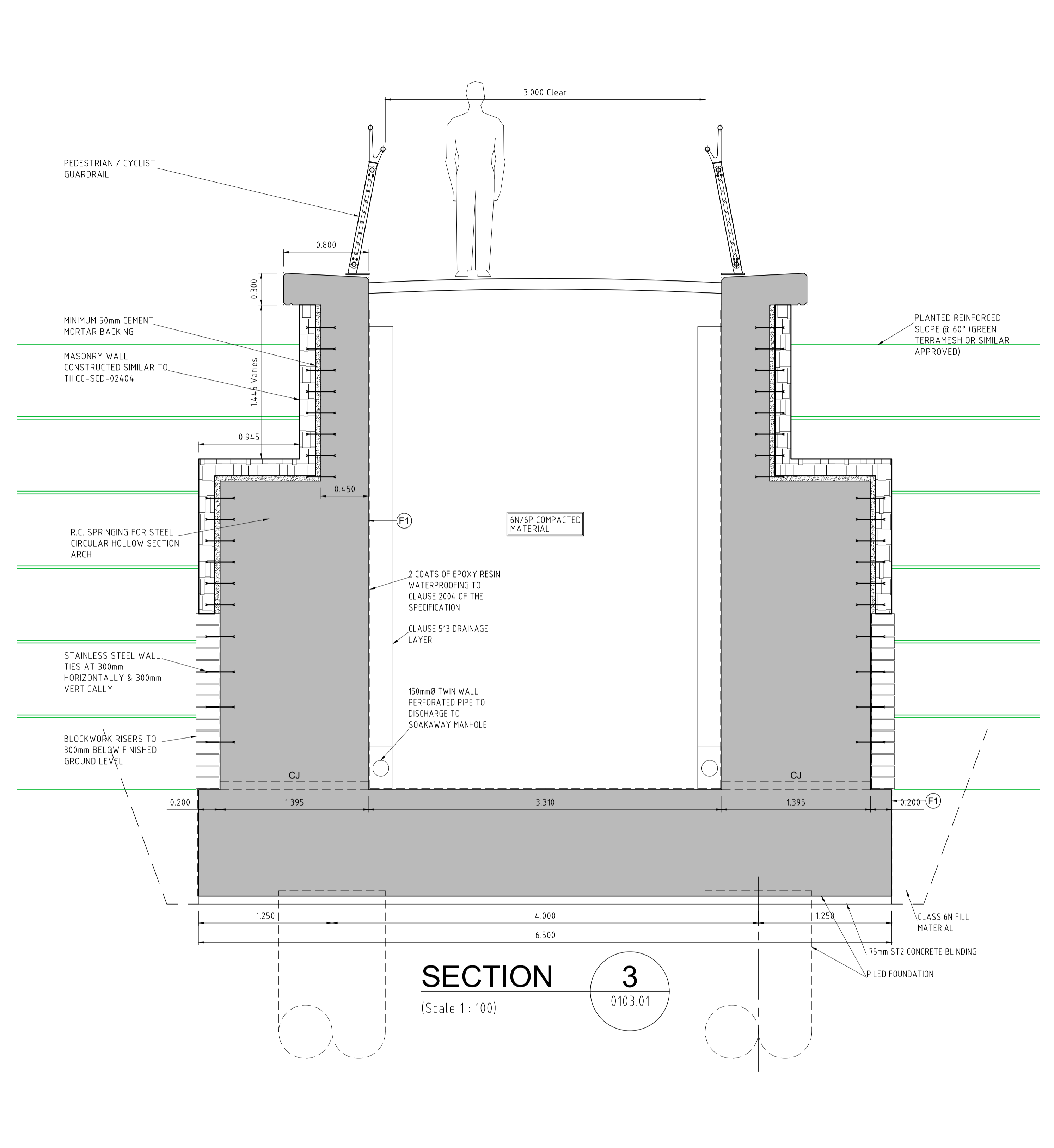
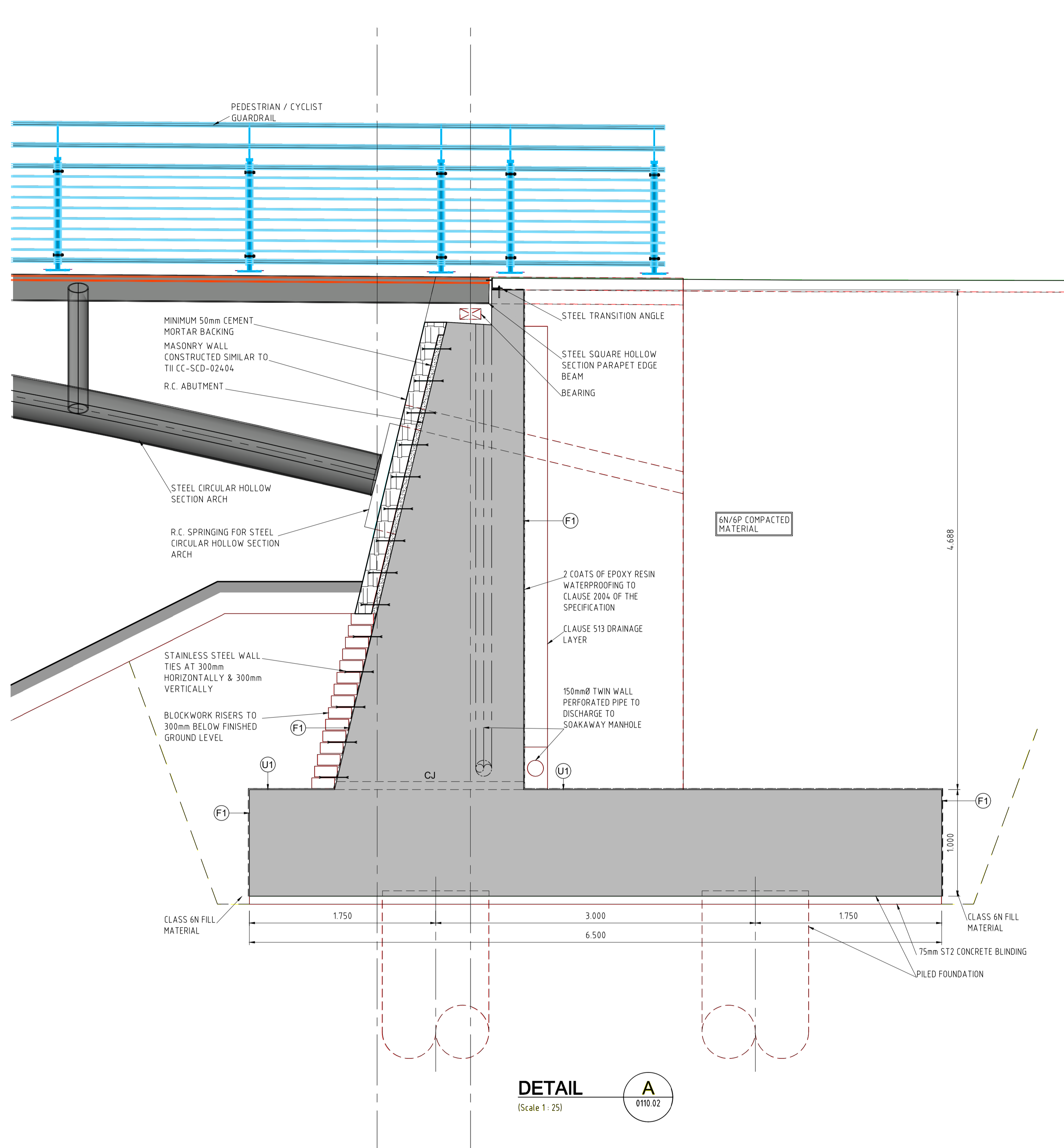
Title
SHARED USE CYCLE & PEDESTRIAN BRIDGE GENERAL ARRANGMENT (Sheet 1 of 3)

Drawing Number
MDT0806-RPS-ST02-N2-DR-D-BR0103-01

Status
A1

Rev
C01

R:\MDT0806_N2_Slane Bypass\8_C Drawings\01\BRMDT0806-RPS-ST02-N2-DR-D-BR0103.dwg



R:\MDT0806_N2_Slane Bypass\8_C Drawings\DWG\BRMDT0806-RPS-ST02-N2-DR-D-BR0103.dwg

© National Mapping Division of Tailte Éireann. All rights reserved. Licence number CYAL50320677/MeathCountyCouncil

Client

General Notes

(i) Hard copies, dwf and pdf will form a controlled issue of the drawing. All other formats (dwg etc.) are deemed to be an uncontrolled issue and any work carried out based on these files is at the recipients own risk. RPS will not accept any responsibility for any errors from the use of these files, either by human error by the recipient, listing of the un-dimensioned measurements, compatibility with the recipients software, and any errors arising when these files are used to aid the recipients drawing production, or setting out on site.

(ii) DO NOT SCALE, use figured dimensions only.

(iii) This drawing is the property of RPS, it is a project confidential classified document. It must not be copied used or its contents divulged without prior written consent. The needs and expectations of client and RPS must be considered when working with this drawing.

(iv) Information including topographical survey, geotechnical investigation and utility detail used in the design have been provided by others.

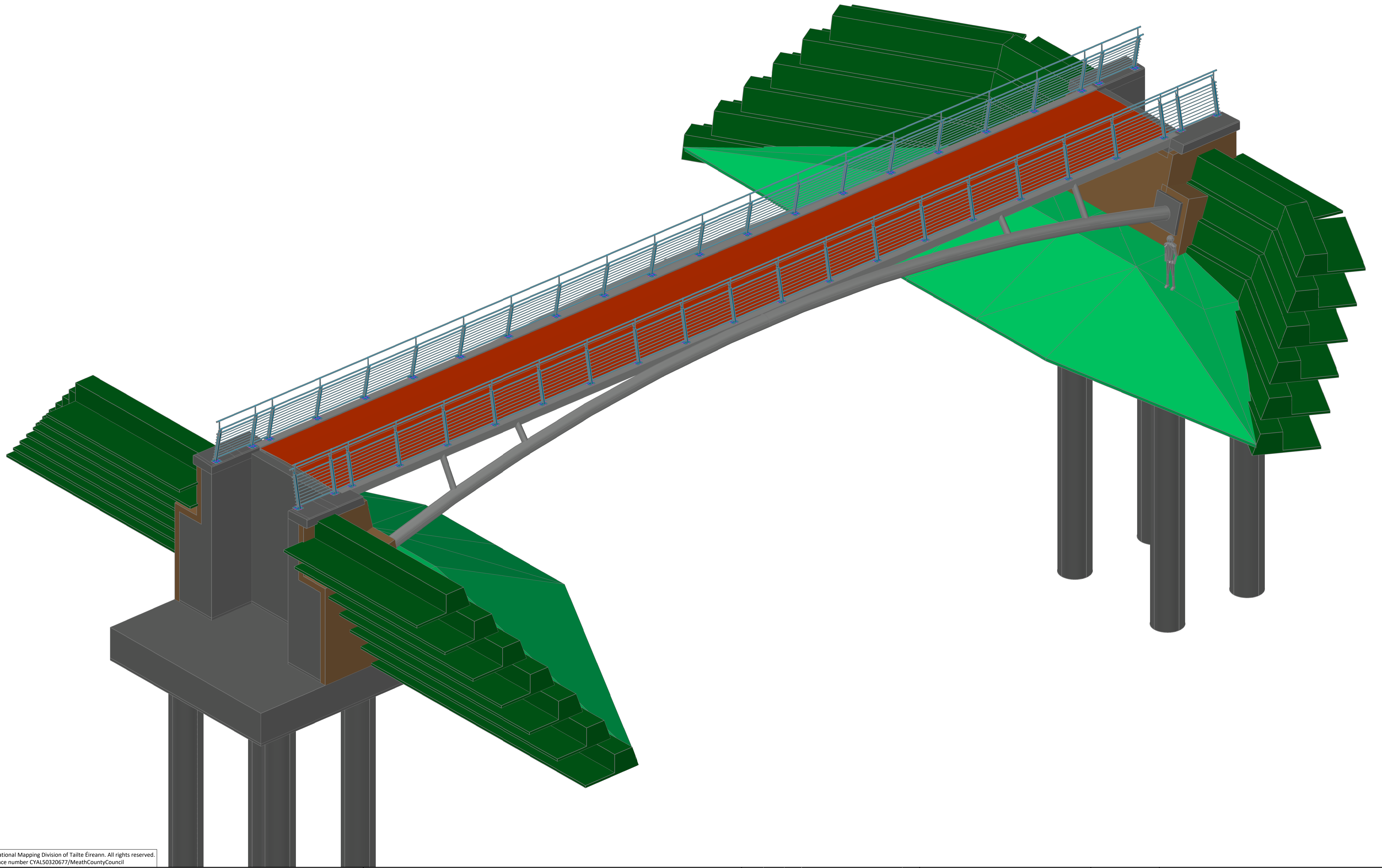
(v) All Levels refer to Ordnance Survey Datum, Malin Head.

Rev	Date	Drawn	Checked	Amendment / Issue	App
C01	Jun '23	DM	DM	Final Issue	MN

Scale	As Shown @ A1 Half @ A3
Created on	Aug '21
Sheets	2 of 3

Project	N2 SLANE BYPASS AND PUBLIC REALM ENHANCEMENT SCHEME		
Title	SHARED USE CYCLE & PEDESTRIAN BRIDGE GENERAL ARRANGMENT (Sheet 2 of 3)		
Drawing Number	MDT0806-RPS-ST02-N2-DR-D-BR0103-02	Status	A1
Rev	C01		

File Identifier: MDT0806-RPS-ST02-N2-DR-D-BR0000



R:\MDT0806_N2_Slaine Bypass\8_C Drawings\DC\BR\MDT0806-RPS-ST02-N2-DR-D-BR0103.dwg

© National Mapping Division of Tailte Éireann. All rights reserved.
Licence number CYAL50320677/MeathCountyCouncil

Client

General Notes

(i) Hard copies, dwf and pdf will form a controlled issue of the drawing. All other formats (dwg etc.) are deemed to be an uncontrolled issue and any work carried out based on these files is at the recipients own risk. RPS will not accept any responsibility for any errors from the use of these files, either by human error by the recipient, listing of the un-dimensioned measurements, compatibility with the recipients software, and any errors arising when these files are used to aid the recipients drawing production, or setting out on site.

(ii) DO NOT SCALE, use figured dimensions only.

(iii) This drawing is the property of RPS, it is a project confidential classified document. It must not be copied used or its contents divulged without prior written consent. The needs and expectations of client and RPS must be considered when working with this drawing.

(iv) Information including topographical survey, geotechnical investigation and utility detail used in the design have been provided by others.

(v) All Levels refer to Ordnance Survey Datum, Malin Head.

Rev	Date	Drawn By	Amendment / Issue	App
A1	Jun 23'	DC	Final Issue	MN

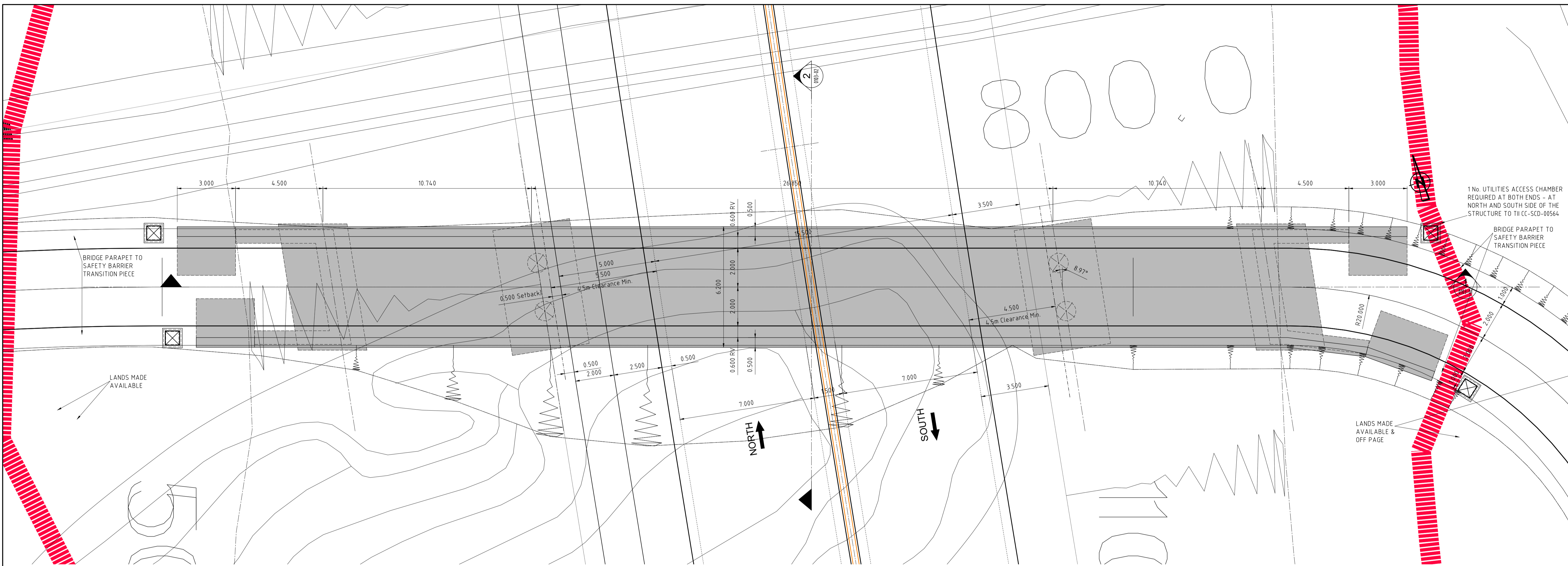
West Pier
Business Campus
Dun Laoghaire
Co Dublin

T +353 1 4882900
F +353 1 2835676
W www.rpsgroup.com/ireland
E ireland@rpsgroup.com

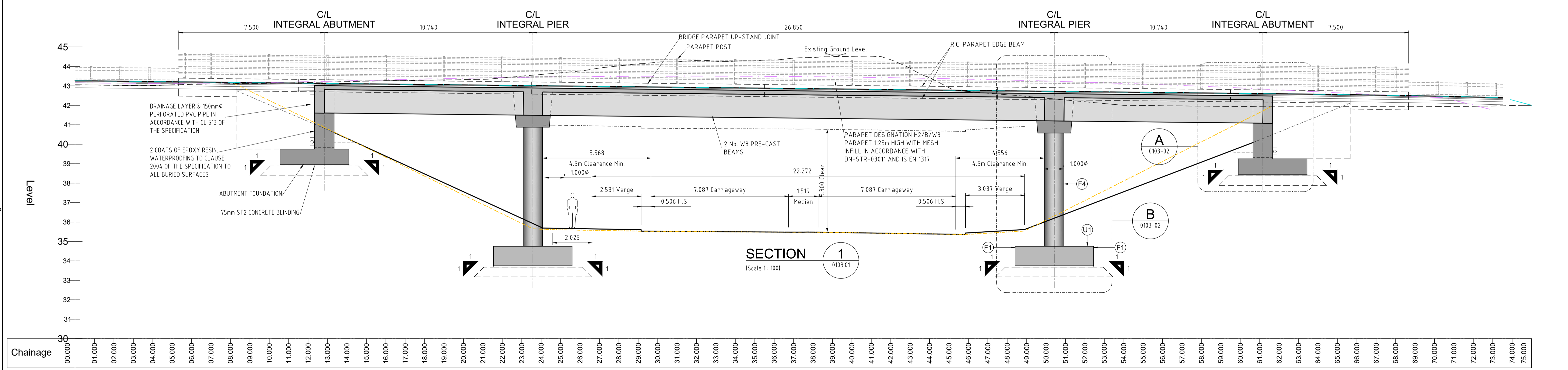
Scale	As Shown @ A1 Half @ A3
Created on	Aug '21
Sheets	3 of 3

Project	N2 SLANE BYPASS AND PUBLIC REALM ENHANCEMENT SCHEME		
Title	SHARED USE CYCLE & PEDESTRIAN BRIDGE GENERAL ARRANGMENT (Sheet 3 of 3)		
Drawing Number	MDT0806-RPS-ST02-N2-DR-D-BR0103-03	Status	A1
Rev			C01

File Identifier
MDT0806-RPS-ST02-N2-DR-D-BR0000



PLAN LAYOUT
(Scale 1:100)



SECTION 1
(Scale 1:100)

© National Mapping Division of Tailte Éireann. All rights reserved.
Licence number CYAL50320677/MeathCountyCouncil

Client

General Notes

(i) Hard copies, dwf and pdf will form a controlled issue of the drawing. All other formats (dwg etc.) are deemed to be an uncontrolled issue and any work carried out based on these files is at the recipients own risk. RPS will not accept any responsibility for any errors from the use of these files, either by human error by the recipient, listing of the un-dimensioned measurements, compatibility with the recipients software, and any errors arising when these files are used to aid the recipients drawing production, or setting out on site.

(ii) DO NOT SCALE, use figured dimensions only.

(iii) This drawing is the property of RPS, it is a project confidential classified document. It must not be copied used or its contents divulged without prior written consent. The needs and expectations of client and RPS must be considered when working with this drawing.

(iv) Information including topographical survey, geotechnical investigation and utility detail used in the design have been provided by others.

(v) All Levels refer to Ordnance Survey Datum, Malin Head.

Rev	Date	Drawn	Checked	Amendment / Issue	App
01	Jun '23	DM	DM	Final Issue	MN

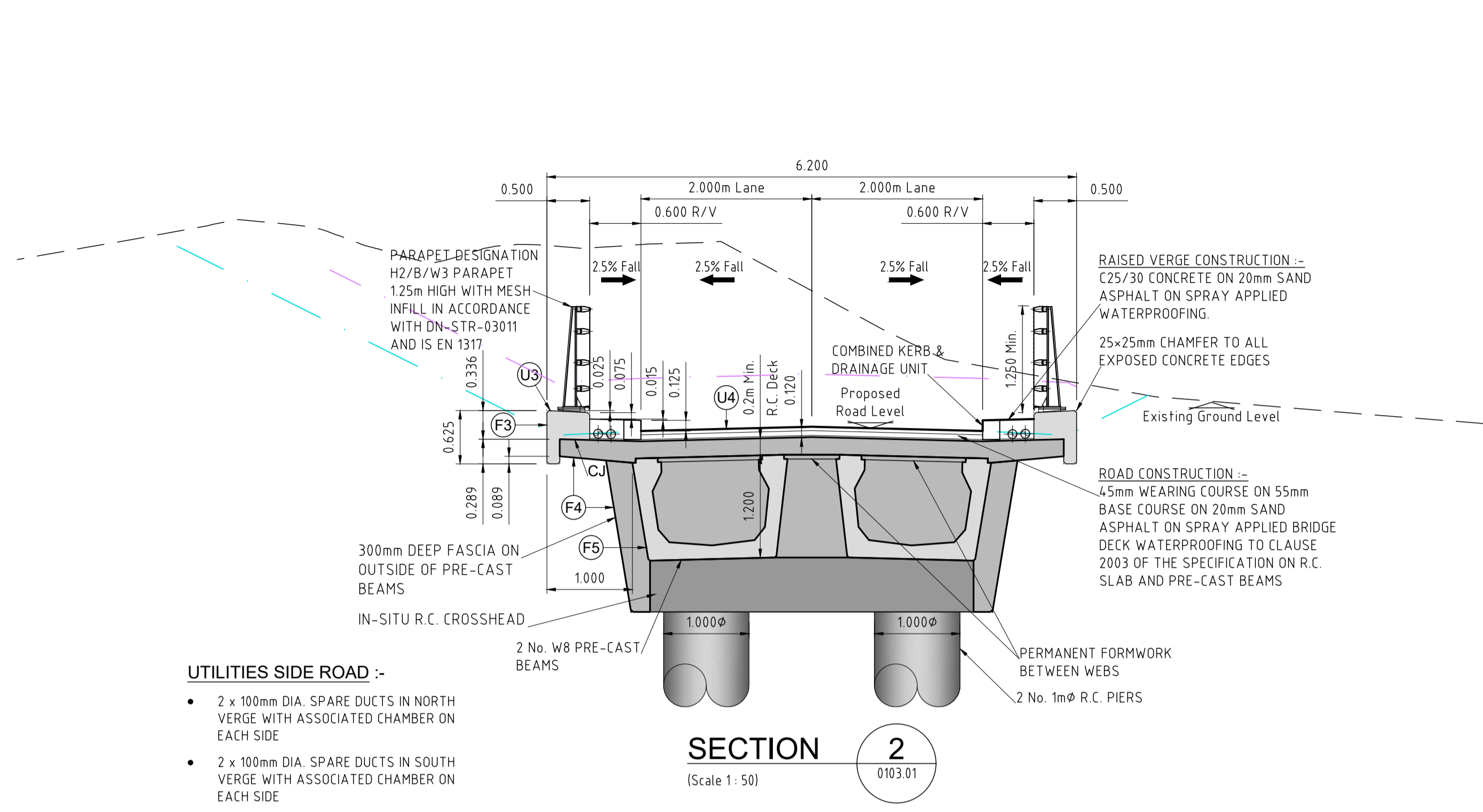
West Pier
Business Campus
Dun Laoghaire
Co Dublin

T +353 1 4882900
F +353 1 2835676
E www.rpsgroup.com/ireland
ireland@rpsgroup.com

Scale	As Shown @ A1 Half @ A3
Created on	May'21
Sheets	1 of 2

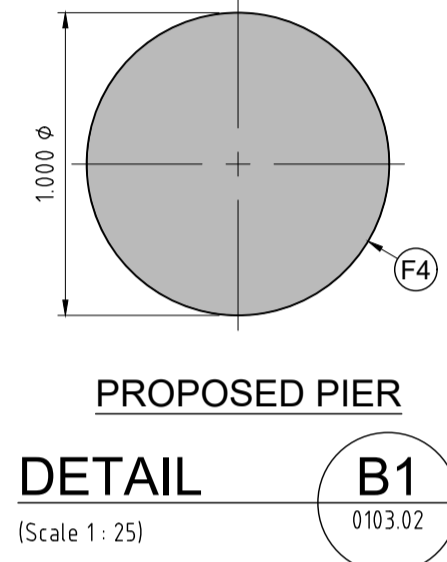
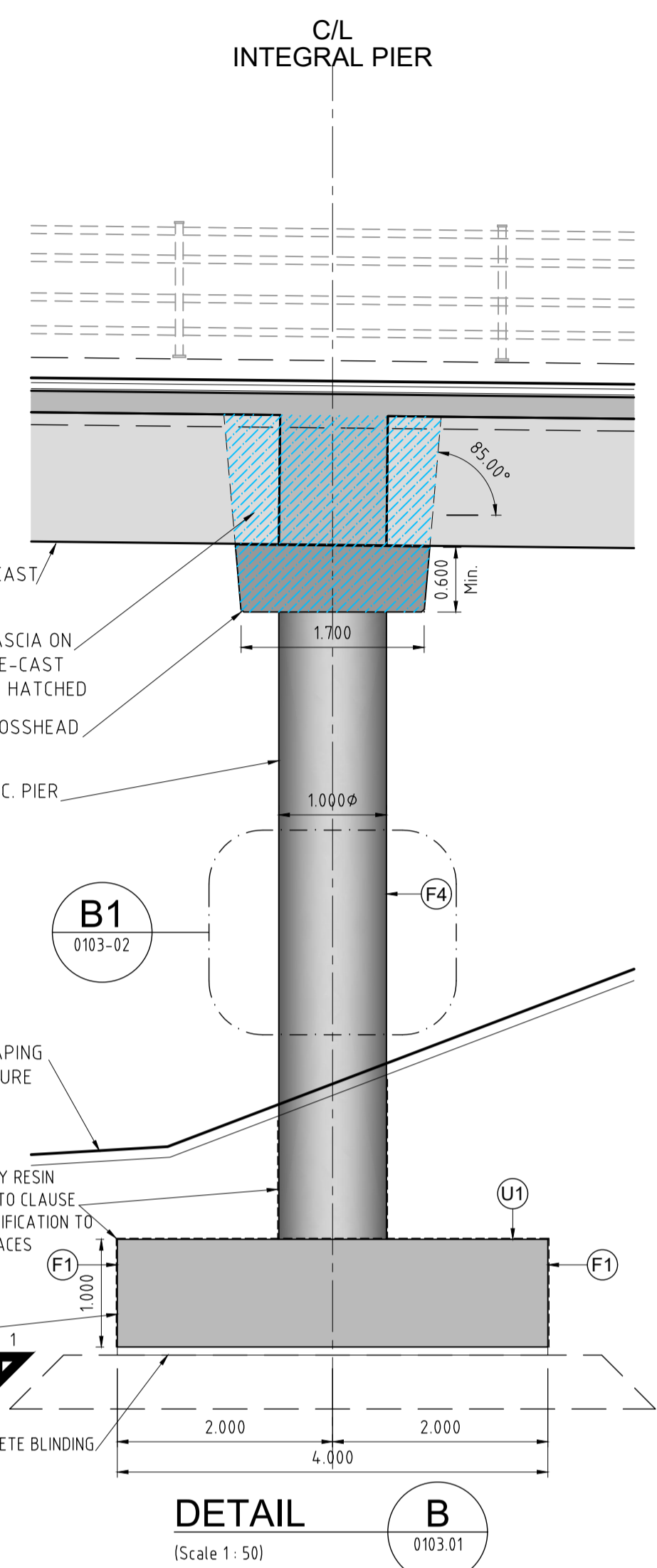
Project		
N2 SLANE BYPASS AND PUBLIC REALM ENHANCEMENT SCHEME		
Title		
Accommodation Overbridge - ST03 (O.B.2) Ch.800 GENERAL ARRANGMENT (Sheet 1 of 2)		
Drawing Number	Status	Rev
MDT0806-RPS-ST03-N2-DR-D-BR0103-01	A1	C01

R:\MDT0806_N2_Slane Bypass\8_C Drawings\DR\MDT0806-RPS-ST03-N2-DR-D-BR0103.dwg

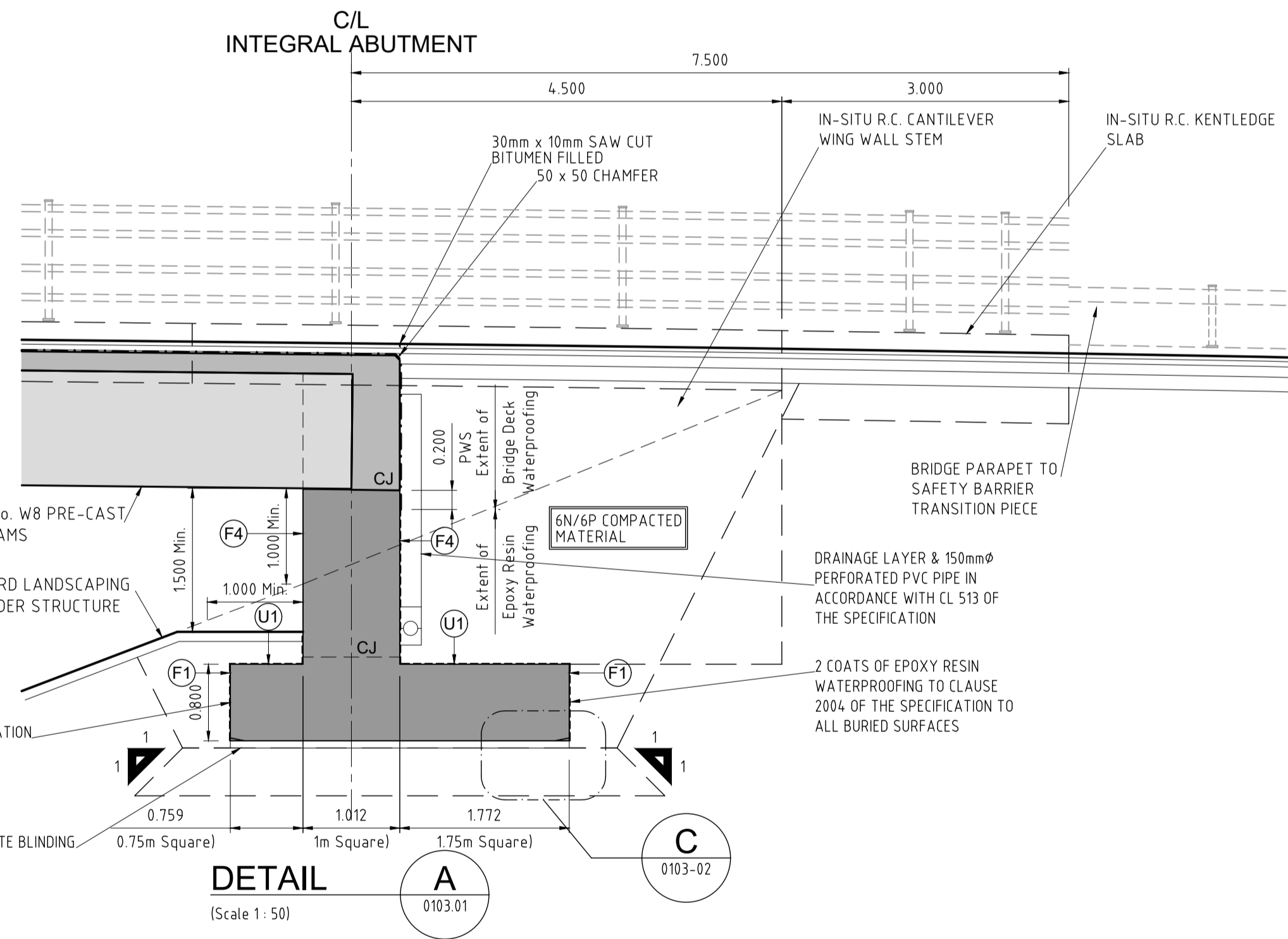


- UTILITIES SIDE ROAD :-**
- 2 x 100mm DIA. SPARE DUCTS IN NORTH VERGE WITH ASSOCIATED CHAMBER ON EACH SIDE
 - 2 x 100mm DIA. SPARE DUCTS IN SOUTH VERGE WITH ASSOCIATED CHAMBER ON EACH SIDE

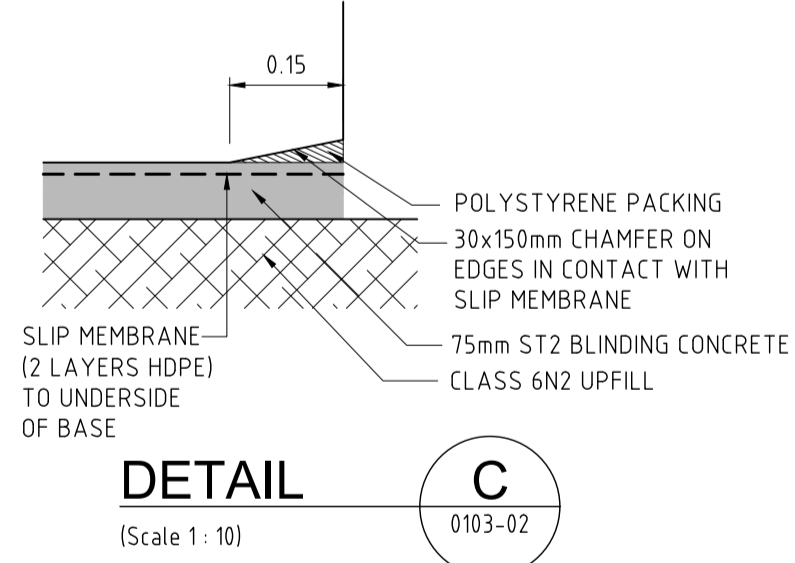
SECTION 2
(Scale 1 : 50)



DETAIL B
(Scale 1 : 50)



DETAIL A
(Scale 1 : 50)



DETAIL C
(Scale 1 : 10)

R:\MDT0806_N2_Slane Bypass\8_C Drawings\8_C\BR\MDT0806-RPS-ST03-N2-DR-D-BR0103.dwg

© National Mapping Division of Taithe Éireann. All rights reserved.
Licence number CYAL50320677/MeathCountyCouncil

	<p>General Notes</p> <p>(i) Hard copies, dwf and pdf will form a controlled issue of the drawing. All other formats (dwg etc.) are deemed to be an uncontrolled issue and any work carried out based on these files is at the recipients own risk. RPS will not accept any responsibility for any errors from the use of these files, either by human error by the recipient, listing of the un-dimensioned measurements, compatibility with the recipients software, and any errors arising when these files are used to aid the recipients drawing production, or setting out on site.</p> <p>(ii) DO NOT SCALE. use figured dimensions only.</p>	<p>(iii) This drawing is the property of RPS, it is a project confidential classified document. It must not be copied used or its contents divulged without prior written consent. The needs and expectations of client and RPS must be considered when working with this drawing.</p> <p>(iv) Information including topographical survey, geotechnical investigation and utility detail used in the design have been provided by others.</p> <p>(v) All Levels refer to Ordnance Survey Datum, Malin Head.</p>
--	--	---

Rev	Date	Drawn	Checked	Amendment / Issue	App
A1	Jun '23	DC	DM	Final Issue	MN

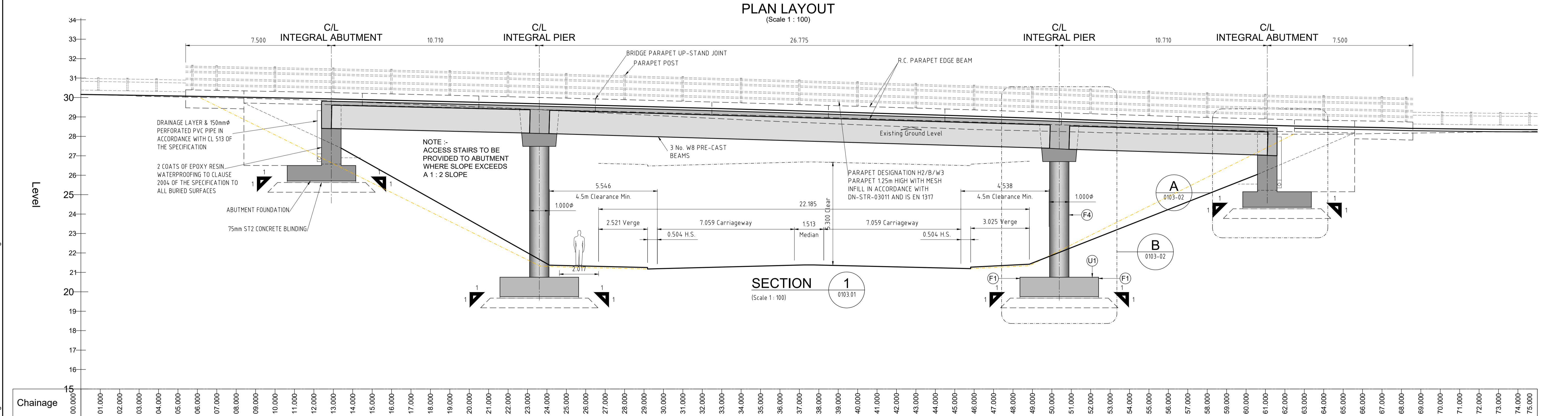
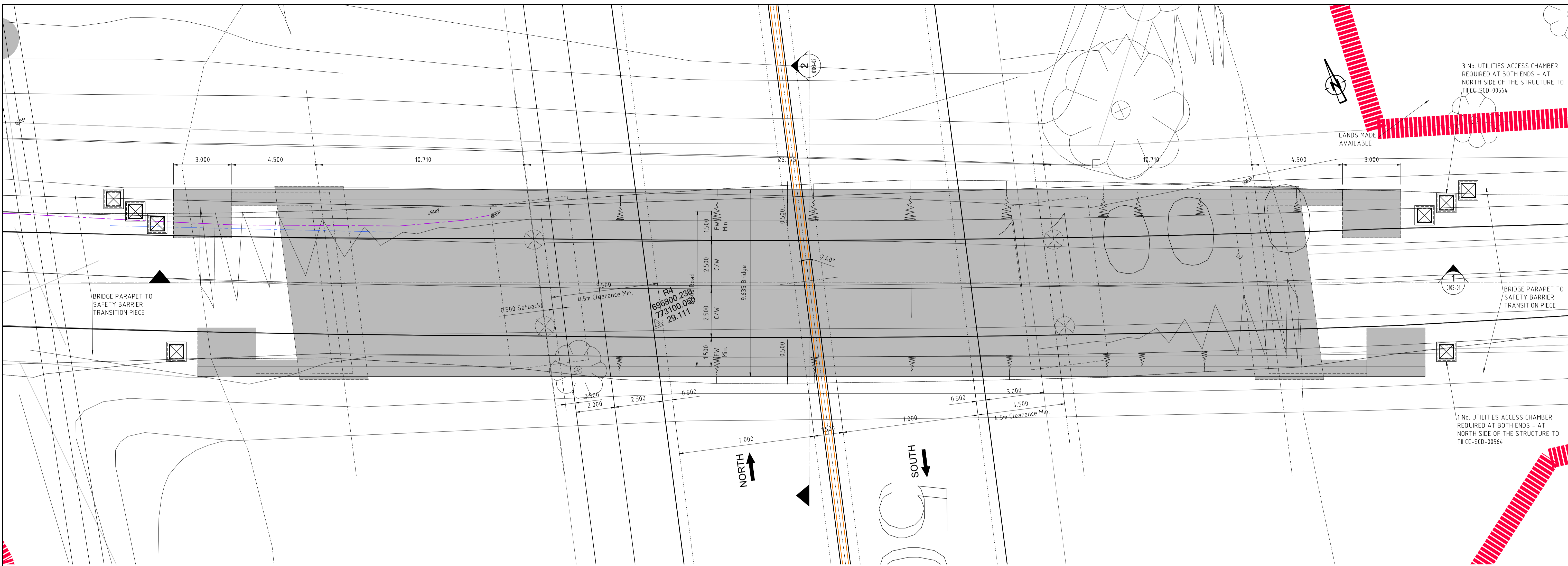
West Pier
Business Campus
Dun Laoghaire
Co Dublin

T +353 1 4882900
F +353 1 2835676
W www.rpsgroup.com/ireland
E ireland@rpsgroup.com

Scale	As Shown @ A1 Half @ A3
Created on	May'21
Sheets	2 of 2

Project N2 SLANE BYPASS AND PUBLIC REALM ENHANCEMENT SCHEME		
Title Accommodation Overbridge - ST03 (O.B.2) Ch.800 GENERAL ARRANGMENT (Sheet 2 of 2)		
Drawing Number MDT0806-RPS-ST03-N2-DR-D-BR0103-02	Status A1	Rev C01

File Identifier
MDT0806-RPS-ST03-N2-DR-D-BR0000



© National Mapping Division of Taoiseach Éireann. All rights reserved.
Licence number CYAL50320677/MeathCountyCouncil

Client: **TII** (Transport Infrastructure Ireland) and **An Roinn Iompair Turasóireachta agus Spóirt** (Department of Transport, Tourism and Sport) / **comhairle chontae na mí meath county council**

General Notes

- (i) Hard copies, dwf and pdf will form a controlled issue of the drawing. All other formats (dwg etc.) are deemed to be an uncontrolled issue and any work carried out based on these files is at the recipient's own risk. RPS will not accept any responsibility for any errors from the use of these files, either by human error by the recipient, listing of the un-dimensioned measurements, compatibility with the recipient's software, and any errors arising when these files are used to aid the recipient's drawing production, or setting out on site.
- (ii) DO NOT SCALE, use figured dimensions only.
- (iii) This drawing is the property of RPS, it is a project confidential classified document. It must not be copied used or its contents divulged without prior written consent. The needs and expectations of client and RPS must be considered when working with this drawing.
- (iv) Information including topographical survey, geotechnical investigation and utility detail used in the design have been provided by others.
- (v) All Levels refer to Ordnance Survey Datum, Malin Head.

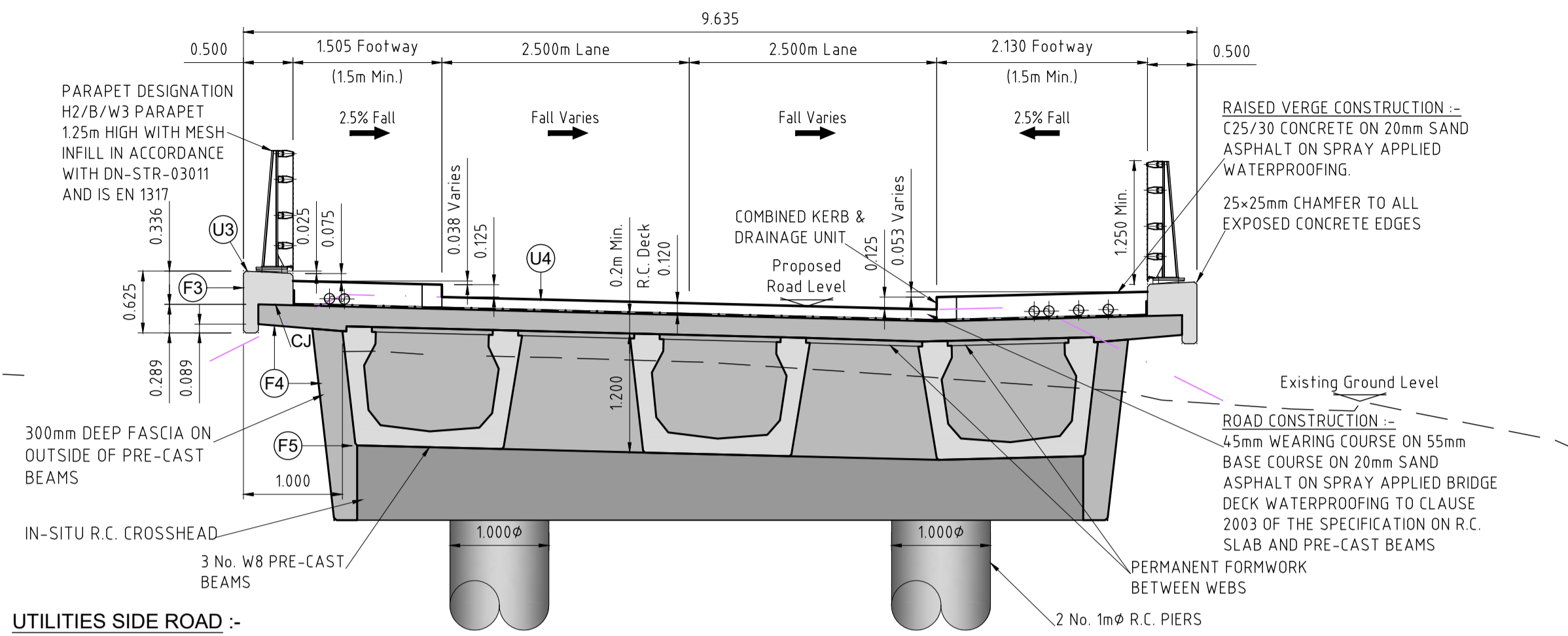
Rev	Date	By	App	Amendment / Issue
01	Jun '21	DM	DM	Final Issue

File Identifier: **MDT0806-RPS-ST04-N2-DR-D-BR0000**

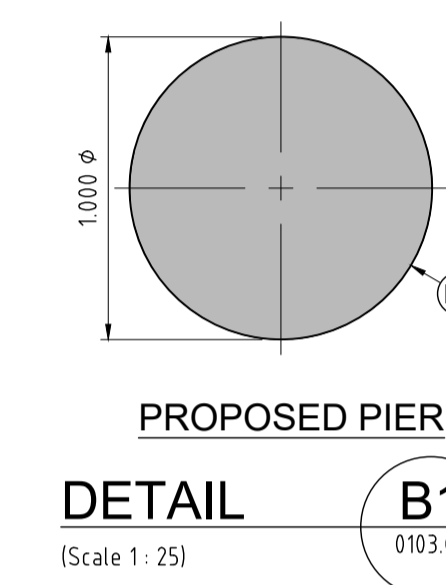
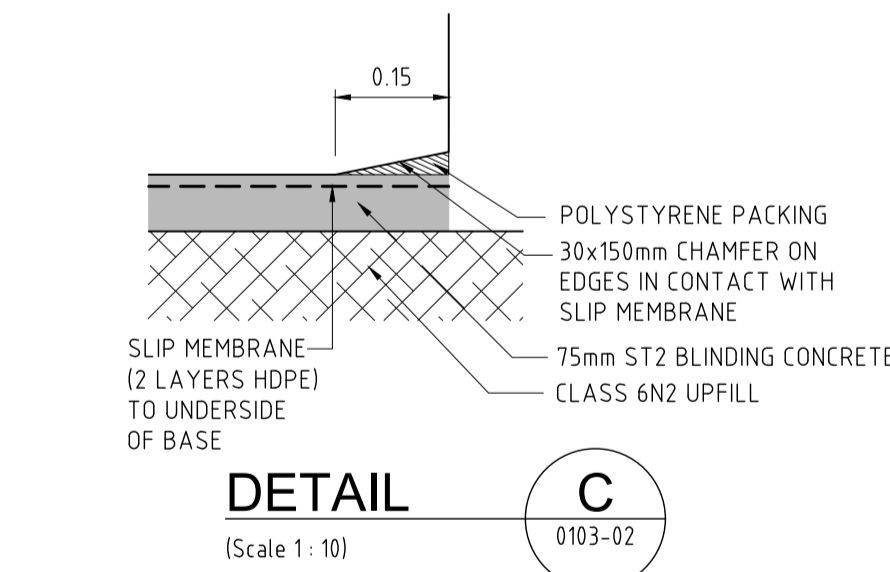
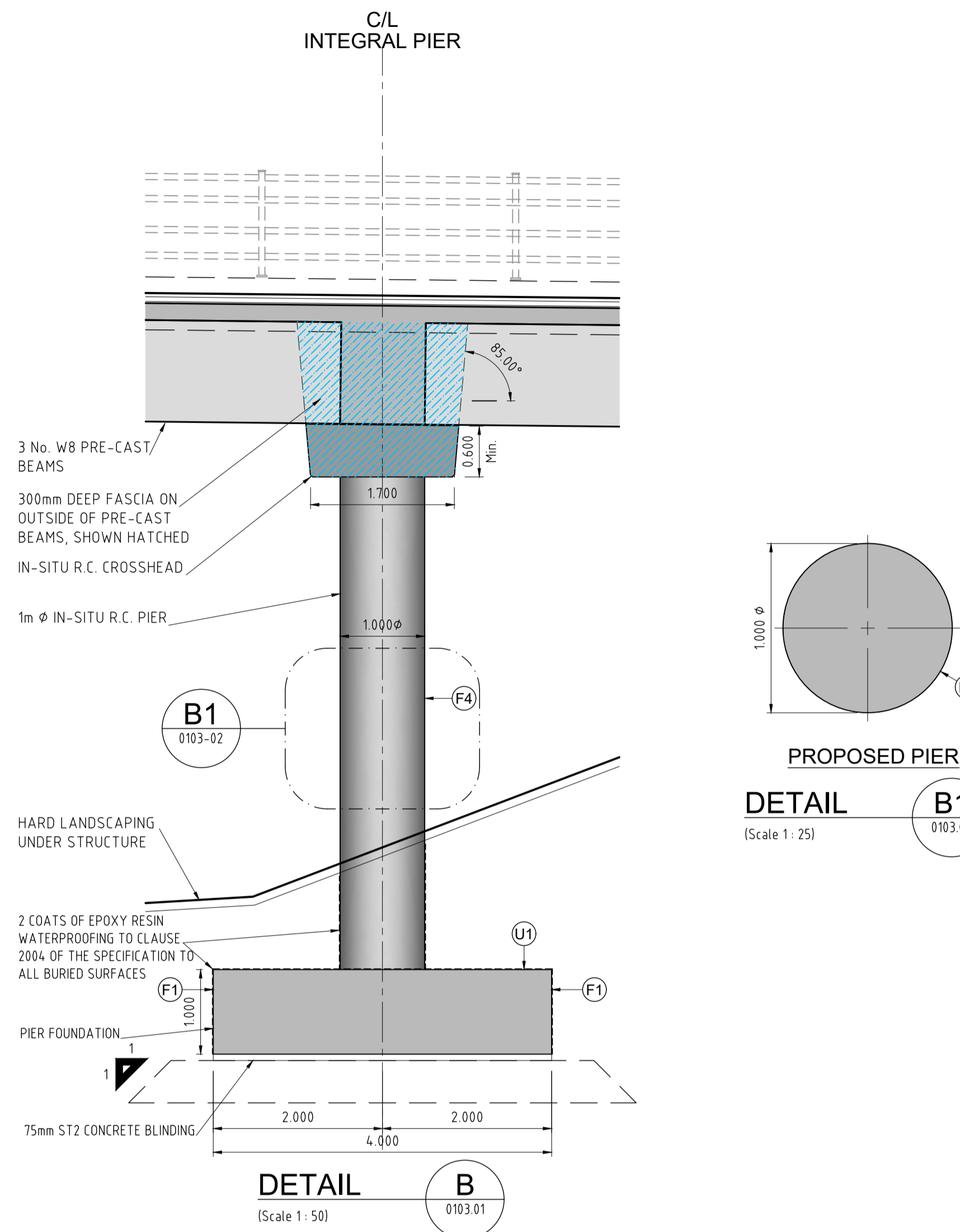
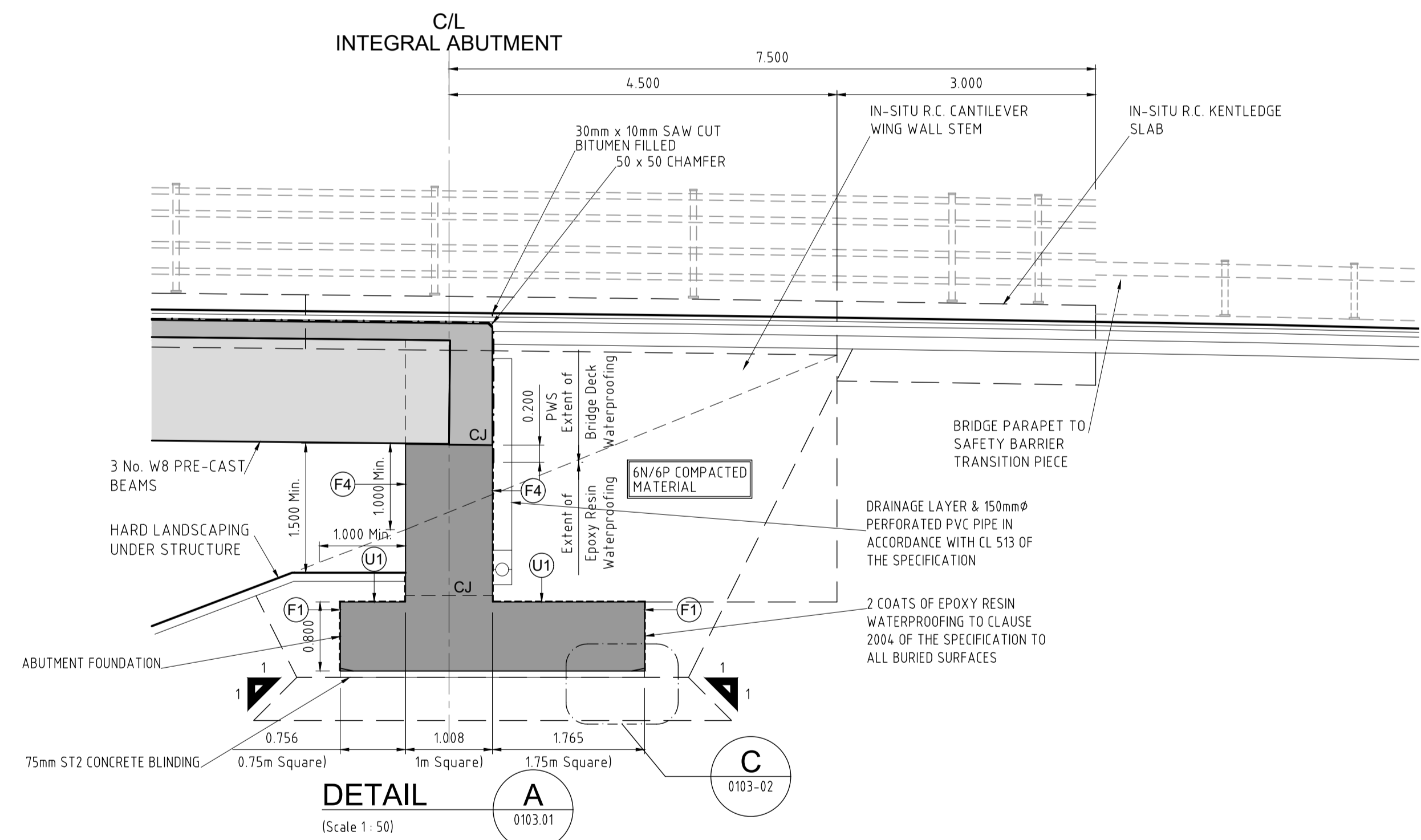
Scale: As Shown @ A1 Half @ A3
Created on: May'21
Sheets: 1 of 2

Project: **N2 SLANE BYPASS AND PUBLIC REALM ENHANCEMENT SCHEME**
Title: **Rossnaree Overbridge - ST04 (O.B.2) Ch.1100 GENERAL ARRANGMENT (Sheet 1 of 2)**

Drawing Number: **MDT0806-RPS-ST04-N2-DR-D-BR0103-01** Status: **A1** Rev: **C01**



- UTILITIES SIDE ROAD :-**
- 100mm DIA. SLEEVE FOR 75mm DIA. WATER SERVICES IN THE NORTH VERGE WITH ASSOCIATED CHAMBER ON EITHER SIDE.
NOTE :- SIZE TO BE CONFIRMED
 - 100mm DIA. DUCT FOR TELECOM IN THE NORTH VERGE WITH ASSOCIATED CHAMBER ON EITHER SIDE.
NOTE :- NUMBER TO BE CONFIRMED
 - 2 x 100mm DIA. SPARE DUCTS IN NORTH VERGE WITH ASSOCIATED CHAMBER ON EACH SIDE
 - 2 x 100mm DIA. SPARE DUCTS IN SOUTH VERGE WITH ASSOCIATED CHAMBER ON EACH SIDE



R:\MDT0806_N2_Slane Bypass\8_0 Drawings\01\BR\MDT0806-RPS-ST04-N2-DR-D-BR0103.dwg

© National Mapping Division of Taoite Éireann. All rights reserved.
Licence number CYAL50320677/MeathCountyCouncil

Client

General Notes

(i) Hard copies, dwf and pdf will form a controlled issue of the drawing. All other formats (dwg etc.) are deemed to be an uncontrolled issue and any work carried out based on these files is at the recipients own risk. RPS will not accept any responsibility for any errors from the use of these files, either by human error by the recipient, listing of the un-dimensioned measurements, compatibility with the recipients software, and any errors arising when these files are used to aid the recipients drawing production, or setting out on site.

(ii) DO NOT SCALE. use figured dimensions only.

(iii) This drawing is the property of RPS, it is a project confidential classified document. It must not be copied used or its contents divulged without prior written consent. The needs and expectations of client and RPS must be considered when working with this drawing.

(iv) Information including topographical survey, geotechnical investigation and utility detail used in the design have been provided by others.

(v) All Levels refer to Ordnance Survey Datum, Malin Head.

Rev	Date	Drawn	Checked	Amendment / Issue	App
A1	Jun '23	DC	DM	Final Issue	MN

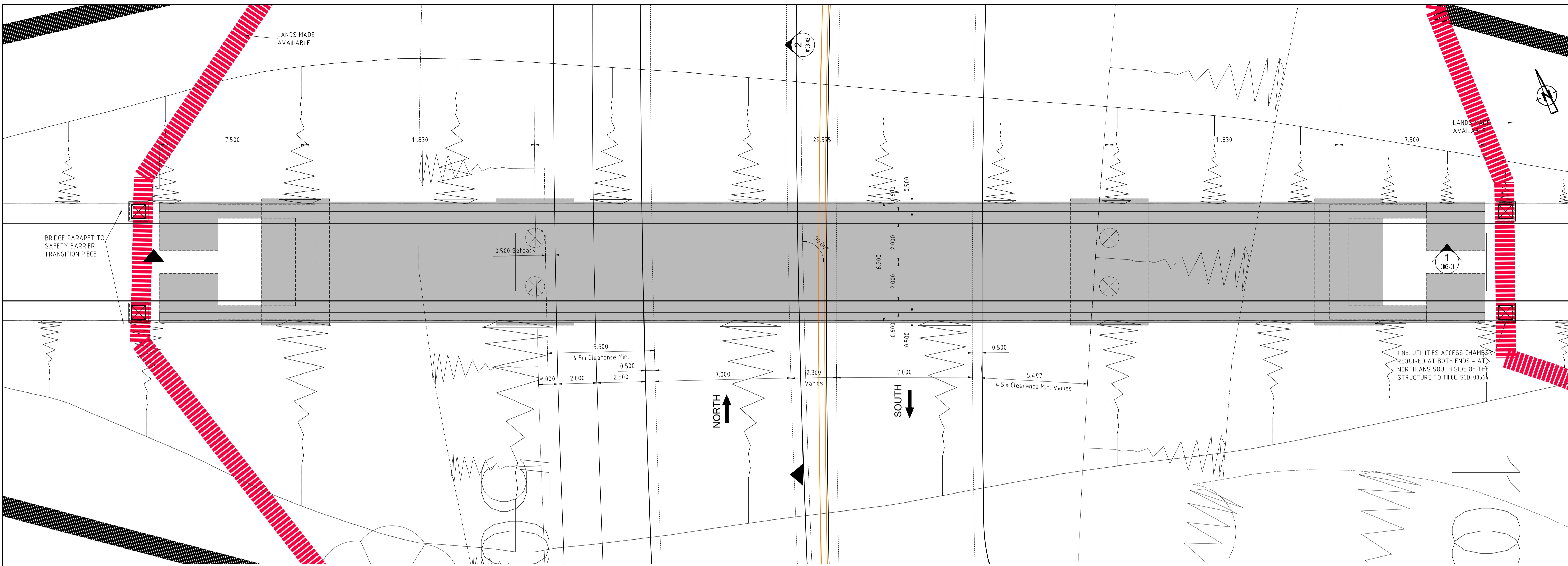
West Pier
Business Campus
Dun Laoghaire
Co Dublin

T +353 1 4882900
F +353 1 2835676
W www.rpsgroup.com/ireland
E ireland@rpsgroup.com

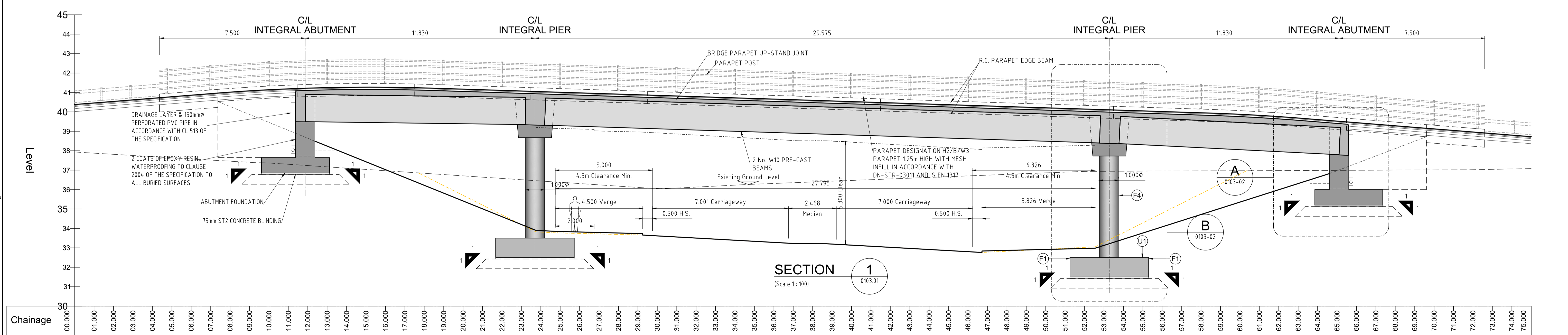
File Identifier
MDT0806-RPS-ST04-N2-DR-D-BR0000

Scale	As Shown @ A1 Half @ A3
Created on	May'21
Sheets	2 of 2

Project N2 SLANE BYPASS AND PUBLIC REALM ENHANCEMENT SCHEME		
Title Rosnaree Overbridge - ST04 (O.B.2) Ch.1100 GENERAL ARRANGMENT (Sheet 2 of 2)		
Drawing Number MDT0806-RPS-ST04-N2-DR-D-BR0103-02	Status A1	Rev C01



PLAN LAYOUT
(Scale 1 : 100)



SECTION 1
(Scale 1 : 100)

© National Mapping Division of Tailte Éireann. All rights reserved.
Licence number CYAL50320677/MeathCountyCouncil

Client

General Notes

(i) Hard copies, dwf and pdf will form a controlled issue of the drawing. All other formats (dwg etc.) are deemed to be an uncontrolled issue and any work carried out based on these files is at the recipients own risk. RPS will not accept any responsibility for any errors from the use of these files, either by human error by the recipient, listing of the un-dimensioned measurements, compatibility with the recipients software, and any errors arising when these files are used to aid the recipients drawing production, or setting out on site.

(ii) DO NOT SCALE, use figured dimensions only.

(iii) This drawing is the property of RPS, it is a project confidential classified document. It must not be copied used or its contents divulged without prior written consent. The needs and expectations of client and RPS must be considered when working with this drawing.

(iv) Information including topographical survey, geotechnical investigation and utility detail used in the design have been provided by others.

(v) All Levels refer to Ordnance Survey Datum, Malin Head.

Rev	Date	Drawn/Checked	Amendment / Issue	App
1	Jun '23	DC/ML	Final Issue	MN

West Pier
Business Campus
Dun Laoghaire
Co Dublin

T +353 1 4882900
F +353 1 2835676
E www.rpsgroup.com/ireland
ireland@rpsgroup.com

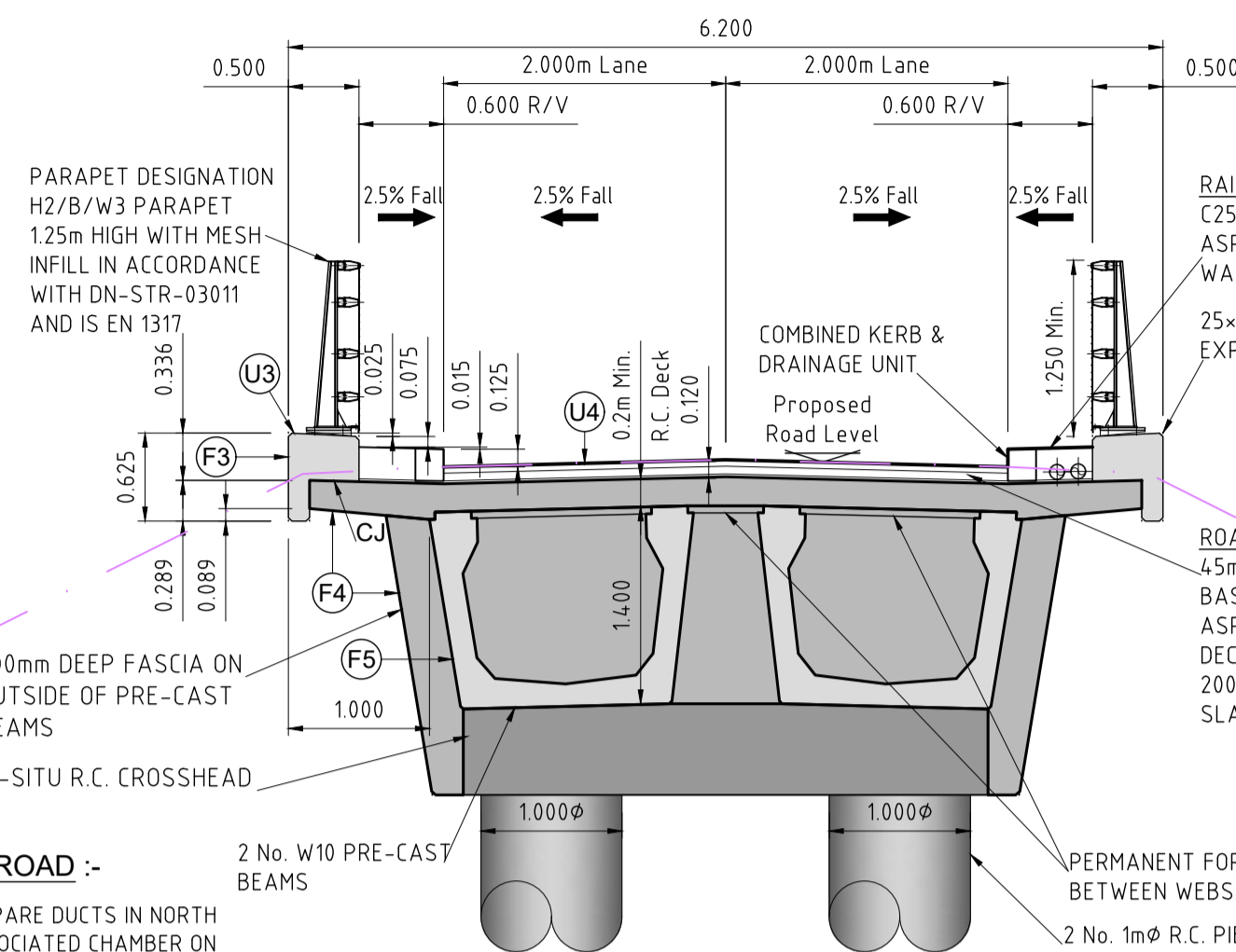
Scale	As Shown @ A1 Half @ A3
Created on	May'21
Sheets	1 of 2

Project **N2 SLANE BYPASS AND PUBLIC REALM ENHANCEMENT SCHEME**

Title **Accommodation Overbridge - ST05 (O.B.3) Ch.1575 GENERAL ARRANGMENT (Sheet 1 of 2)**

Drawing Number	MDT0806-RPS-ST05-N2-DR-D-BR0103-01	Status	A1	Rev	C01
----------------	------------------------------------	--------	----	-----	-----

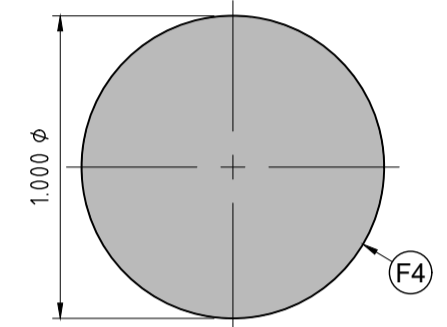
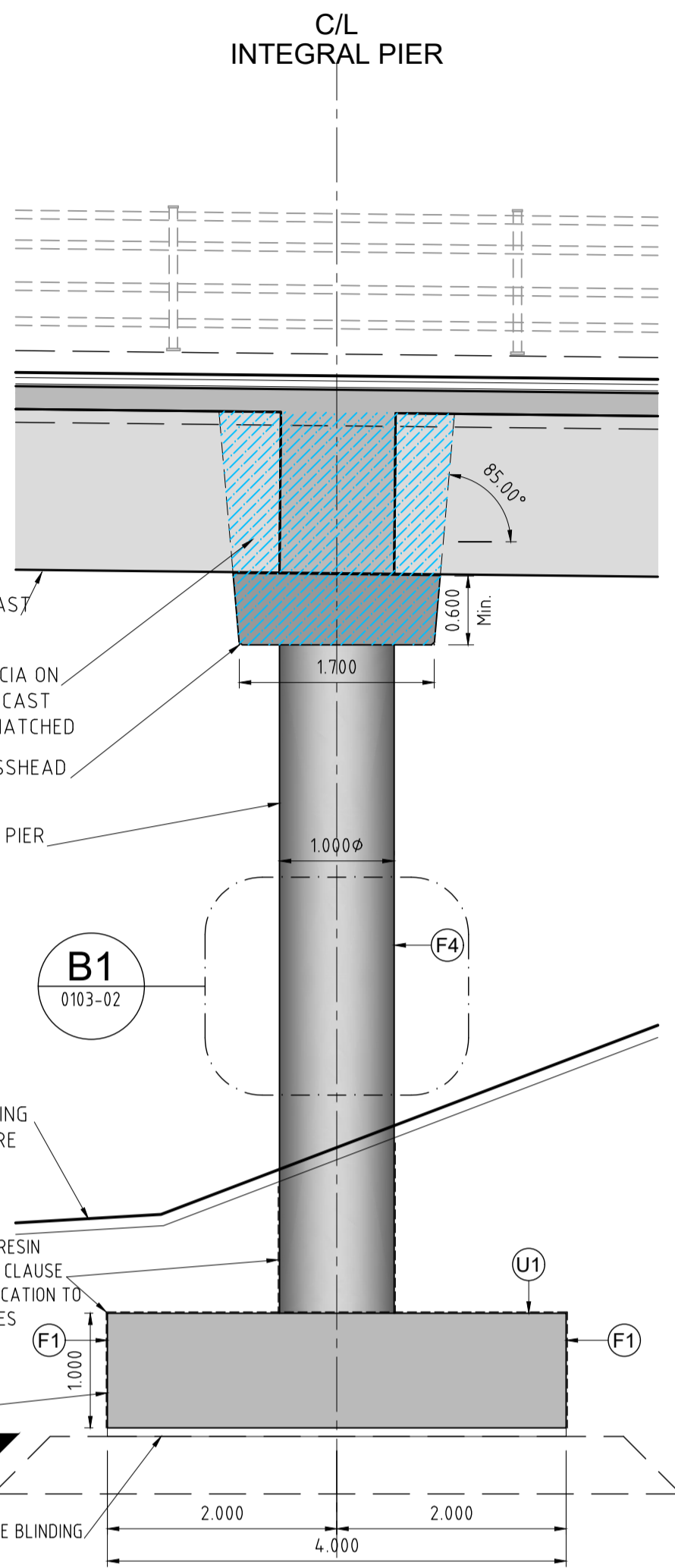
R:\MDT0806_N2_Slane Bypass\8.0 Drawings\DR\BR\MDT0806-RPS-ST05-N2-DR-D-BR0103.dwg



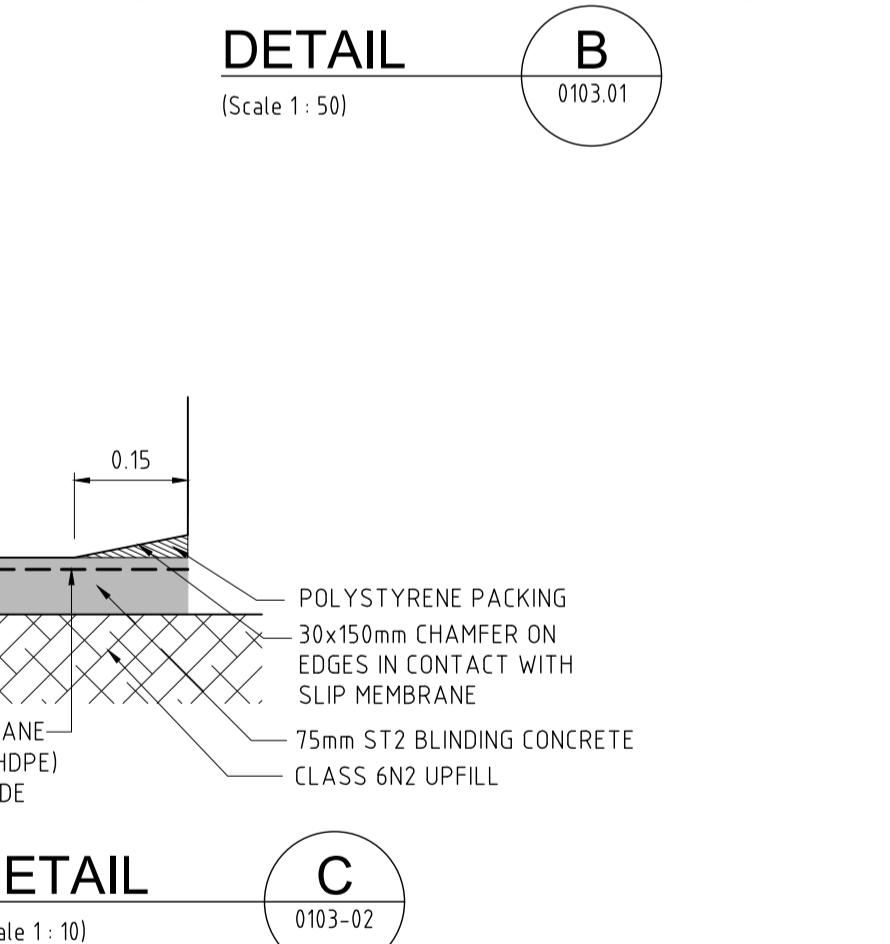
UTILITIES SIDE ROAD :-

- 2 x 100mm DIA. SPARE DUCTS IN NORTH VERGE WITH ASSOCIATED CHAMBER ON EACH SIDE
- 2 x 100mm DIA. SPARE DUCTS IN SOUTH VERGE WITH ASSOCIATED CHAMBER ON EACH SIDE

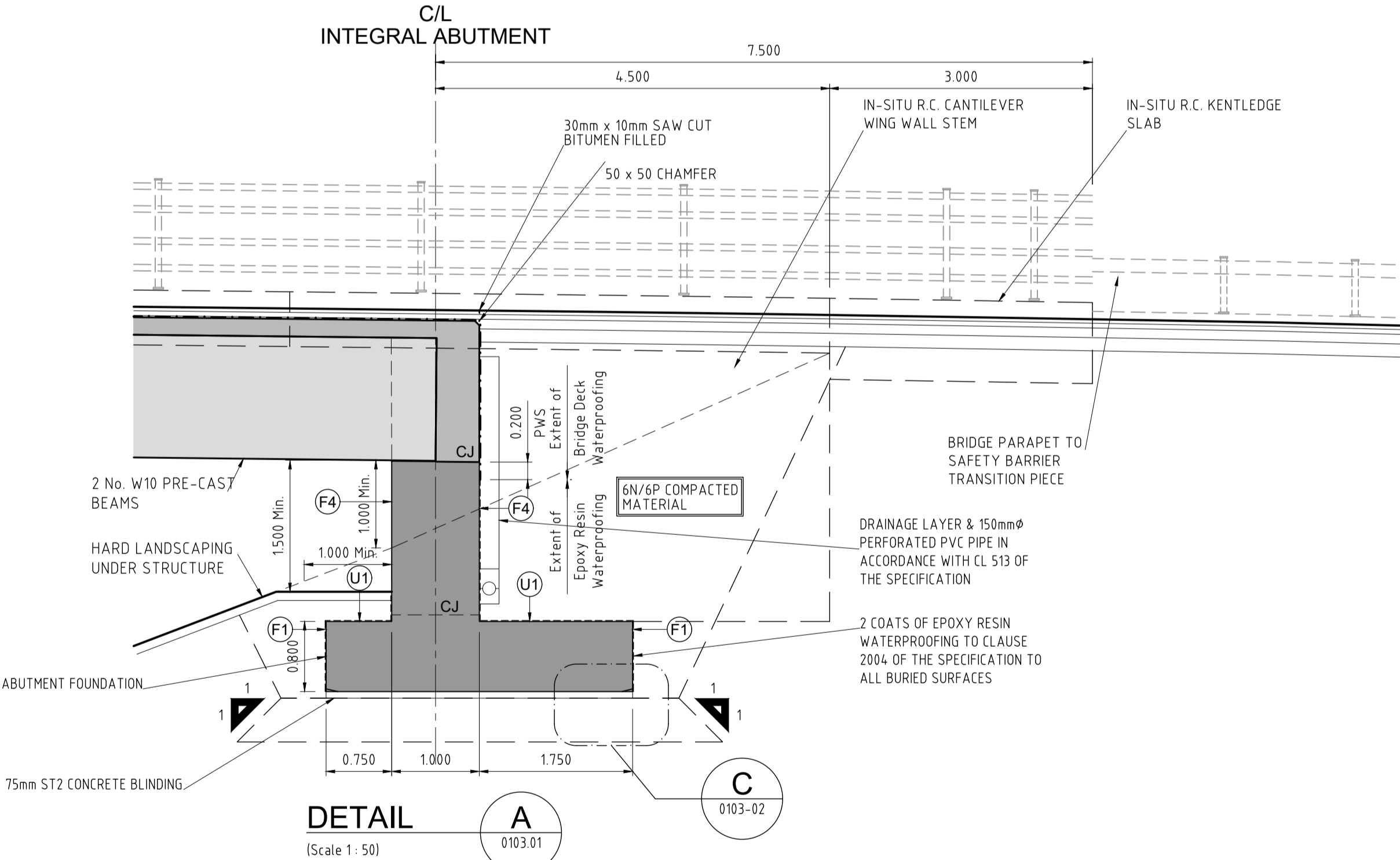
SECTION 2
(Scale 1:50) 0103.01



PROPOSED PIER
DETAIL B1
(Scale 1:25) 0103.02



DETAIL C
(Scale 1:10) 0103.02



DETAIL A
(Scale 1:50) 0103.01

R:\MDT0806_N2_Slane Bypass\8_C Drawings\01\BR\MDT0806-RPS-ST05-N2-DR-D-BR0103.dwg

© National Mapping Division of Taoiseach Éireann. All rights reserved.
Licence number CYAL50320677/MeathCountyCouncil

Client

General Notes

(i) Hard copies, dwf and pdf will form a controlled issue of the drawing. All other formats (dwg etc.) are deemed to be an uncontrolled issue and any work carried out based on these files is at the recipients own risk. RPS will not accept any responsibility for any errors from the use of these files, either by human error by the recipient, listing of the un-dimensioned measurements, compatibility with the recipients software, and any errors arising when these files are used to aid the recipients drawing production, or setting out on site.

(ii) DO NOT SCALE. use figured dimensions only.

(iii) This drawing is the property of RPS, it is a project confidential classified document. It must not be copied used or its contents divulged without prior written consent. The needs and expectations of client and RPS must be considered when working with this drawing.

(iv) Information including topographical survey, geotechnical investigation and utility detail used in the design have been provided by others.

(v) All Levels refer to Ordnance Survey Datum, Malin Head.

Rev	Date	By	App	Amendment / Issue
A1	Jun '23	DC	MN	Final Issue

West Pier
Business Campus
Dun Laoghaire
Co Dublin

T +353 1 4882900
F +353 1 2835676
E www.rpsgroup.com/ireland
ireland@rpsgroup.com

Scale	As Shown @ A1 Half @ A3
Created on	May'21
Sheets	2 of 2

Project		
N2 SLANE BYPASS AND PUBLIC REALM ENHANCEMENT SCHEME		
Title		
Accommodation Overbridge - ST05 (O.B.3) Ch. 1575 GENERAL ARRANGMENT (Sheet 2 of 2)		
Drawing Number	Status	Rev
MDT0806-RPS-ST05-N2-DR-D-BR0103-02	A1	C01

File Identifier
MDT0806-RPS-ST05-N2-DR-D-BR0000